

Service
Service
Service



Service Manual

TABLE OF CONTENTS

	Chapter
Technical Specification & Service Tips.....	1
Safety Instructions.....	2
Instruction for Use.....	3
Mechanical Instructions.....	4
Troubleshooting	5
Overall Block Diagram.....	6
Electrical Diagram.....	7
Exploded View Diagram & Service Part List.....	8
Revision List.....	9

©Copyright 2005 Philips Consumer Electronics B.V. Eindhoven, The Netherlands
All rights reserved. No part of this publication may be reproduced, stored in a retrieval system or transmitted, in any form or by any means, electronics, mechanical, photocopying, or otherwise without the prior permission of Philips

3141 785 32291

1.0 TECHNICAL SPECIFICATION

General

Dimensions (W x H x D): 255 x 170 x 31 mm
 Weight: 0.97kg
 Power supply: 100 – 240V (AC adaptor)
 DC 12V (Battery)
 Power consumption: 24W
 Operating temp. & RH: 0 – 45 degC / 30 – 90% RH

Audio System
 Output voltage 1kHz: 1.2Vrms typical
 THD 20-20kHz (%): 0.03% typical
 Dynamic range: >80dB
 Signal/Noise ratio: >80dB
 Frequency response (20-20kHz): +1dB/-0.5
 Channel Separation 1kHz: >=85dB
 Channel Balance 1kHz: 1dB

Current consumption

DC-IN SUPPLY (9V)	
Standby Power off	5mA
BATT. SUPPLY	
Voltage	7.4V
Capacity	2600mAh
Battery playtime	3 hour
Charging time	<4.0 hour
Standby Power off	<300uA

Headphone out (headphone output load 2x16 ohm)

Maximum output power: 10mW
 Frequency response: +/-3dB
 SNR (A-wght): >80dB
 THD (0.2-20kHz): 0.2% typical
 Left-Right Channel Separation: >55dB
 Left-Right Channel Balance: <1dB

Supported disc type

Video Playback Formats:



Audio Playback Formats:



Playback disc type: DVD, Picture-CD, SVCD, Video CD, MP3-CD, CD-R/CD-RW, WMA-CD, DVD-R, DVD-RW, DVD+R, DVD+RW

Video Playback Format: DVD / VCD / JPEG / MPEG4 / DIVX3,4,5,6

Audio Playback Format: CD/MP3, MP3-DVD, WMA

Disc Diameter: 12cm

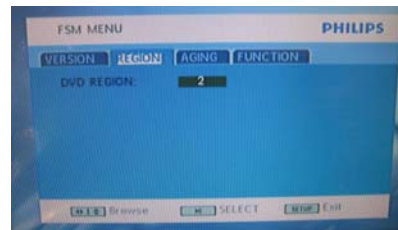
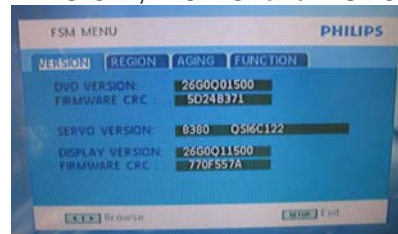
Pixel specification

Zero bright-dot & max. 3 dark-dots

Factory Service Mode (FSM)

To check the software version and change region code of your DVD Portable.

1. Press "■▲" (STOP/EJECT) on the main set
2. Press "▶||" (PLAY/PAUSE) on the main set
3. Press "1" -> "4" -> "0" -> "0" by remote control
4. The screen is under "FSM MENU"
5. Press "▲, ▼, ◀, ▶" to select "VERSION", "REGION", "AGING" and "FUNCTION"



6. Refer below table for your region code setting

Region Code	Region
1	USA
2	EUROPE
3	ASIA PACIFIC
4	AUSTRALIA, NEW ZEALAND, LATAM
5	RUSSIA, INDIA
6	CHINA

7. Press "▶||" to save your setting
8. Press "SETUP" to exit

1.0 TECHNICAL SPECIFICATION

Procedure on how to upgrade the software of the DVD Portable

For the best performance of your DVD Portable. Check www.philips.com/support for latest software upgrades available.

A) PANEL firmware upgrade

1. Unzip the WDR831.ROM
2. Drag-n-drop to USB drive
3. Power on the player with AC/DC adaptor
4. Insert USB drive to the USB port of the main set
5. The set will detect the updated firmware
6. Press "OK" to confirm and proceed

Warning: Do not unplug the AC adaptor during firmware upgrade to prevent flash corrupt of the set!!

B) DVD firmware upgrade

7. Unzip the WDR831.ROM (different file from step 1)
8. Drag-n-drop to USB drive
9. Power on the player with AC/DC adaptor
10. Insert USB drive to the USB port of the main set
11. The set will detect the updated firmware
12. Press "OK" to confirm and proceed

Warning: Do not unplug the AC adaptor during firmware upgrade to prevent flash corrupt of the set!!



1.0 TECHNICAL SPECIFICATION

Symptom:

Pop up screen "FSM AGING FAIL INFO" after replacing the mainboard

Cure:

After replacing the mainboard or LCD, power on the set with below error message:



It could be resolved by the following procedure:

1. Press "SETUP" key on the remote control
2. Press "RETURN" key on the remote control to enter the FSM menu
3. Go to aging with the "NAVIGATION" key on the set ("PLAY/PAUSE" key)
4. Change FSM aging to "FINAL" and then press "OK" key to confirm phase changed
5. Exit the menu by pressing the "SETUP" key

(It could be found by S/C # PI-07/031 on service support site.)

2.0 SAFETY INSTRUCTIONS

GB WARNING

All ICs and many other semi-conductors are susceptible to electrostatic discharges (ESD). Careless handling during repair can reduce life drastically. When repairing, make sure that you are connected with the same potential as the mass of the set via a wrist wrap with resistance. Keep components and tools also at this potential.

F ATTENTION

Tous les IC et beaucoup d'autres semi-conducteurs sont sensibles aux décharges statiques (ESD). Leur longévité pourrait être considérablement écourtée par le fait qu'aucune précaution n'est prise à leur manipulation. Lors de réparations, s'assurer de bien être relié au même potentiel que la masse de l'appareil et enfilez le bracelet serti d'une résistance de sécurité. Veiller à ce que les composants ainsi que les outils que l'on utilise soient également à ce potentiel.

D WARNUNG

Alle ICs und viele andere Halbleiter sind empfindlich gegenüber elektrostatistischen Entladungen (ESD). Unsorgfältige Behandlung im Reparaturfall kann die Lebensdauer drastisch reduzieren. Veranlassen Sie, dass Sie im Reparaturfall über ein Pulsarmband mit Widerstand verbunden sind mit dem gleichen Potential wie die Masse des Gerätes. Bauteile und Hilfsmittel auch auf dieses gleiche Potential halten.

ESD



NL WAARSCHUWING

Alle IC's en vele andere halfgeleiders zijn gevoelig voor electrostatische ontladingen (ESD). Onzorgvuldig behandelen tijdens reparatie kan de levensduur drastisch doen verminderen. Zorg ervoor dat u tijdens reparatie via een polsband met weerstand verbonden bent met hetzelfde potentiaal als de massa van het apparaat. Houd componenten en hulpmiddelen ook op ditzelfde potentiaal.

I AVVERTIMENTO

Tutti IC e parecchi semi-conduttori sono sensibili alle scariche statiche (ESD). La loro longevità potrebbe essere fortemente ridotta in caso di non osservazione della più grande cauzione alla loro manipolazione. Durante le riparazioni occorre quindi essere collegato allo stesso potenziale che quello della massa dell'apparecchio tramite un braccialetto a resistenza. Assicurarsi che i componenti e anche gli utensili con quali si lavora siano anche a questo potenziale.

GB

Safety regulations require that the set be restored to its original condition and that parts which are identical with those specified, be used.

"Pour votre sécurité, ces documents doivent être utilisés par des spécialistes agréés, seuls habilités à réparer votre appareil en panne".

NL

Veiligheidsbepalingen vereisen, dat het apparaat bij reparatie in zijn oorspronkelijke toestand wordt teruggebracht en dat onderdelen, identiek aan de gespecificeerde, worden toegepast.

F

Les normes de sécurité exigent que l'appareil soit remis à l'état d'origine et que soient utilisés les pièces de rechange identiques à celles spécifiées.

D

Bei jeder Reparatur sind die geltenden Sicherheitsvorschriften zu beachten. Der Originalzustand des Geräts darf nicht verändert werden; für Reparaturen sind Original-Ersatzteile zu verwenden.

I

Le norme di sicurezza esigono che l'apparecchio venga rimesso nelle condizioni originali e che siano utilizzati i pezzi di ricambio identici a quelli specificati.

"After servicing and before returning set to customer perform a leakage current measurement test from all exposed metal parts to earth ground to assure no shock hazard exist. The leakage current must not exceed 0.5mA."



GB Warning !

Invisible laser radiation when open.
Avoid direct exposure to beam.

S Varning !

Osynlig laserstrålning när apparaten är öppnad och spärrar är urkopplad. Beträkta ej strålen.

SF Varoitus !

Avatussa laitteessa ja suojalukituksen ohitettaessa olet alltiina näkymättömälle laserisäteilylle. Älä katso säteeseen!

DK Advarse !

Usynlig laserstråling ved åbning når sikkerhedsafbrydere er ude af funktion. Undgå udsættelse for stråling.

2.1 ESD PROTECTION

- レンズには絶対に触れないでください。
- DO NOT TOUCH THE LENS.
- LINSE NICHT BRÜHREN.
- NE PAS TOUCHER LA LENTILLE.

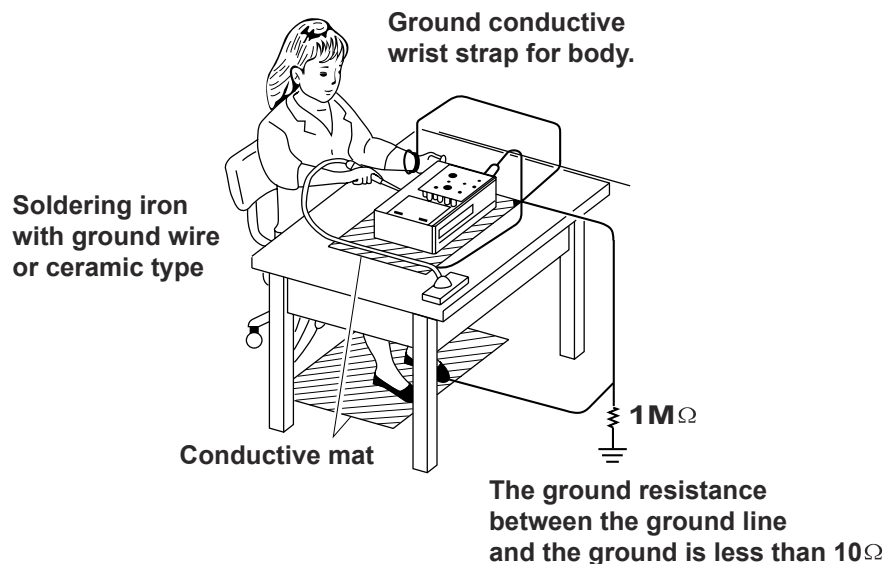
When the power supply is being turned on, you may not remove this laser cautions label. If it removes, radiation of laser may be received.

PREPARATION OF SERVICING

Pickup Head consists of a laser diode that is very susceptible to external static electricity.

Although it operates properly after replacement, if it was subject to electrostatic discharge during replacement, its life might be shortened. When replacing, use a conductive mat, soldering iron with ground wire, etc. to protect the laser diode from damage by static electricity.

And also, the LSI and IC are same as above.



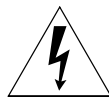
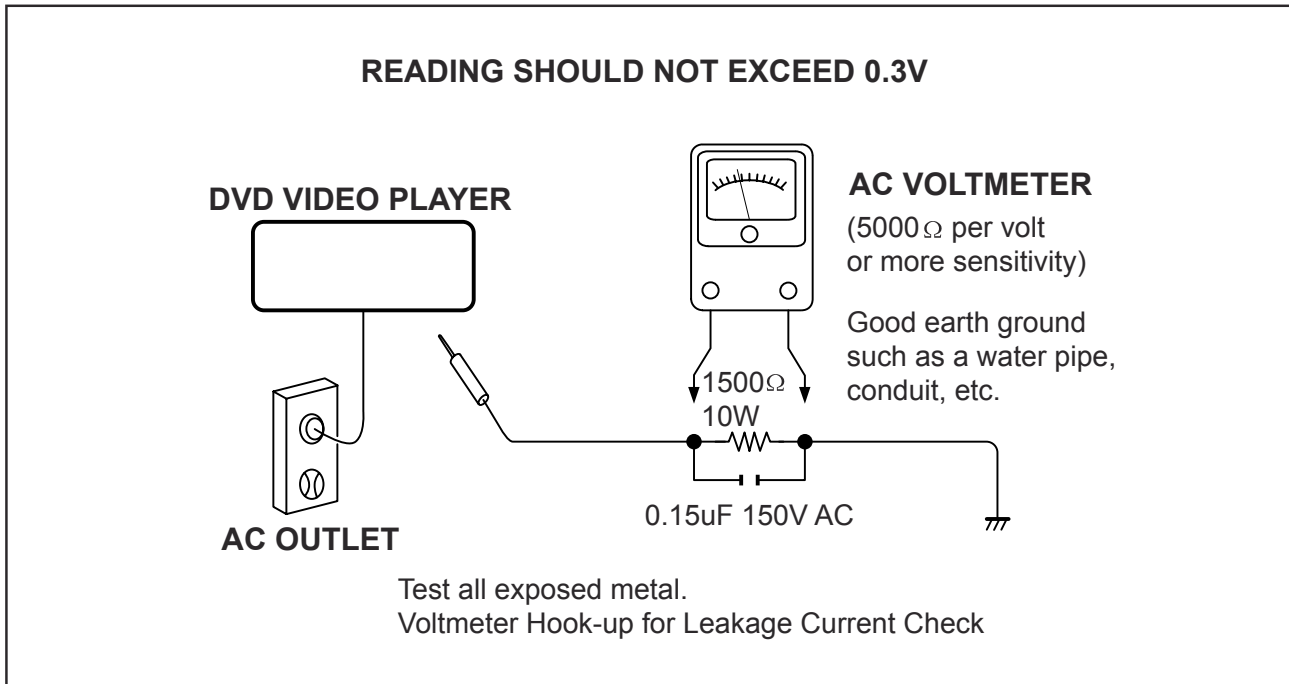
SAFTY NOTICE

SAFTY PRECAUTIONS

LEAKAGE CURRENT CHECK

Plug the AC line cord directly into a 120V AC outlet (do not use an isolation transformer for this check). Use an AC voltmeter, having 5000Ω per volt or more sensitivity. Connect a 1500Ω 10W resistor, paralleled by a $0.15\mu\text{F}$ 150V AC capacitor between a known good earth ground (water pipe, conduit, etc.) and all exposed metal parts of cabinet (antennas, handle bracket, metal cabinet screwheads, metal overlays, control shafts, etc.).

Measure the AC voltage across the 1500Ω resistor. The test must be conducted with the AC switch on and then repeated with the AC switch off. The AC voltage indicated by the meter may not exceed 0.3V. A reading exceeding 0.3V indicates that a dangerous potential exists, the fault must be located and corrected. Repeat the above test with the DVD VIDEO PLAYER power plug reversed. NEVER RETURN A DVD VIDEO PLAYER TO THE CUSTOMER WITHOUT TAKING NECESSARY CORRECTIVE ACTION.



The lightning flash with arrowhead symbol, within an equilateral triangle, is intended to alert the user to the presence of uninsulated "dangerous voltage" within the product's enclosure that may be of sufficient magnitude to constitute a risk of electric shock to persons.



The exclamation point within an equilateral triangle is intended to alert the user to the presence of important operating and maintenance (servicing) instructions in the literature accompanying the appliance.

2.2 SAFETY INSTRUCTIONS

Battery Handling Guideline

Since the battery is packed in soft package, to ensure its better performance, it's very important to carefully handle the battery

2.2.1 Soft Aluminium foil

The soft aluminum packing foil is very easily damaged by sharp edge parts such as Ni-tabs, pins and needles.

- Don't strike battery with any sharp edge parts
- Trim your nail or wear glove before taking battery
- Clean worktable to make sure no any sharp particle



2.2.2 Sealed edge

Sealing edge is very flimsy

- Don't bend or fold sealing edge



2.2.3 Folding edge

The folding edge is form in battery process and passed all hermetic test.

- Don't open or deform folding edge



2.2.4 Tabs

The battery tabs are not so stubborn especially for aluminum tab.

- Don't bend tab



2.2.5 Mechanical shock

- Don't Fall, hit, bend battery body

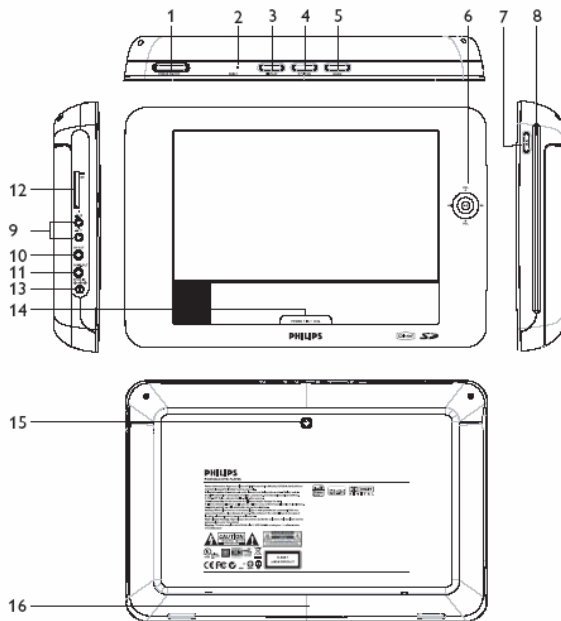


2.2.6 Short

Short terminals of battery is strictly prohibited, it may damage battery.

3.0 INSTRUCTION FOR USE

1



1.1 Top of the player (see figure 1)

1 POWER ON/OFF

Switch the player on / off

2 RESET

Reset the player when it hangs

3 DISPLAY

Adjust the display value of the system

4 OPTIONS

Access additional functions

5 MENU

Display the DVD disc menu

1.2 Left side of the player (see figure 1)

9 Headphone jack

10 AV OUT

Audio/video output

11 COMP. OUT

for better video quality

12 SD

SD card slot

13 DC IN

Charger / Adapter connection for power supply

1.3 Front side of the player (see figure 1)

6 ►||

OK or play/pause

▲ / ▼

Up/down navigation key or up/down volume control during playback

◀◀ / ▶▶

Left/right navigation key or previous/next track or fast search backward/forward

14 POWER•IR•CHG

POWER

Power LED in green

IR

IR sensor

Charging

Charging LED appears in RED during charging and goes off when fully charged.

1.4 Right side of the player (see figure 1)

7 ■ ▲

Press once to stop playback. Press twice to eject the disc

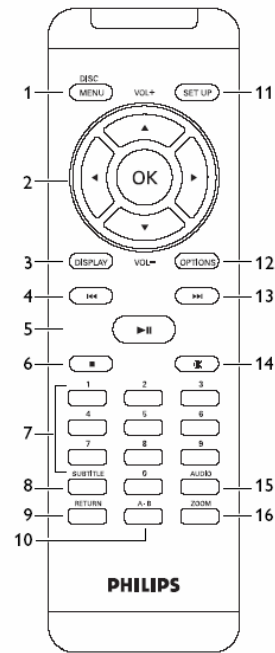
8 Disc slot

1.5 Rear of the player (see figure 1)

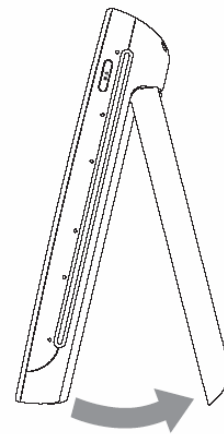
15 Car mounting screw hole

16 Stand

2



3



1.6 Remote Control (see figure 2)

1 MENU

Display MENU page

2 ▲, ▼, ◀, ▶

Up / down / left / right navigation key

OK

Confirm selection

VOL+ / -

Volume control

3 DISPLAY

Adjust the display value of the system

4 ◀◀

Skip to previous chapter, track or title

5 ►||

Start / pause / resume playback

6 ■

Press twice to stop playback

7 0 - 9

Numeric keypad

8 SUBTITLE

Subtitle language selector

9 RETURN

For VCD menu page

10 A - B

To repeat or loop a sequence in a title

11 SETUP

Enter SETUP menu

12 OPTION

Access additional functions

13 ▶▶

Skip to next chapter, track or title

14 🔇

Mute player volume

15 AUDIO

Audio language selector

16 ZOOM




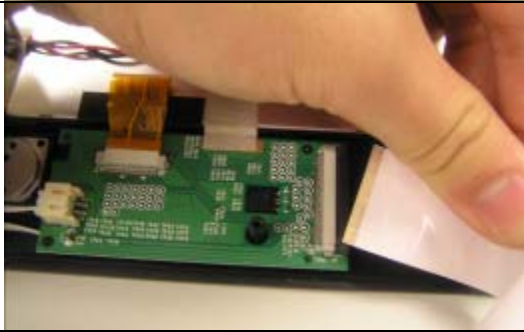

Enlarge video image

1.7 Desk stand of the player (see figure 3)


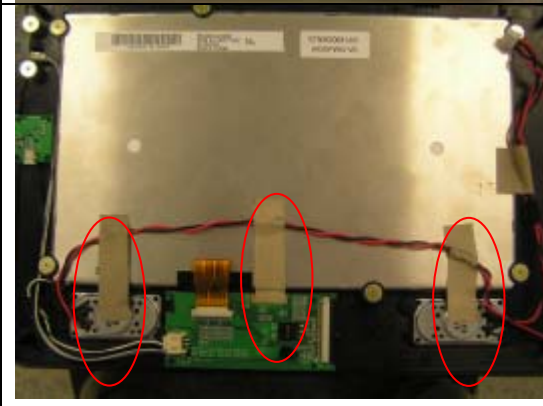

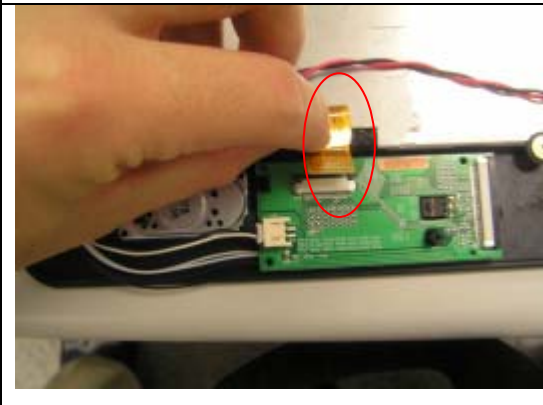
You can prop up the DVD player on your table for movie watching.

Pull out the stand at the rear of the player.

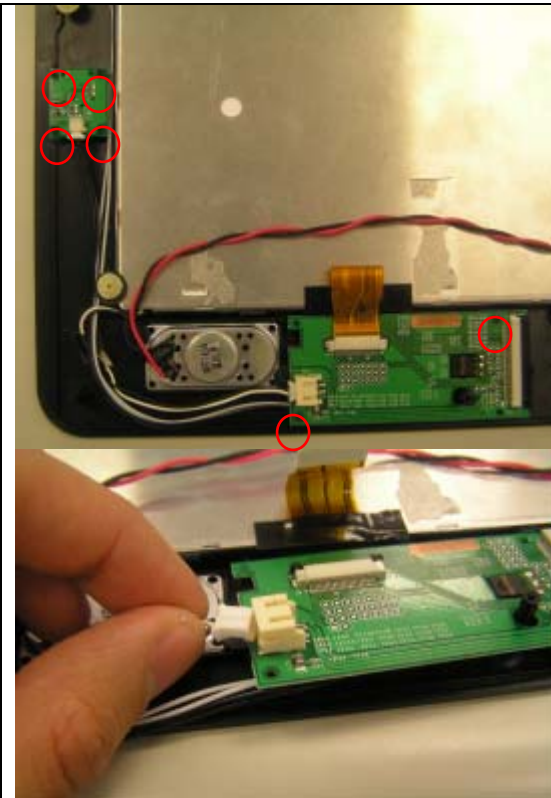



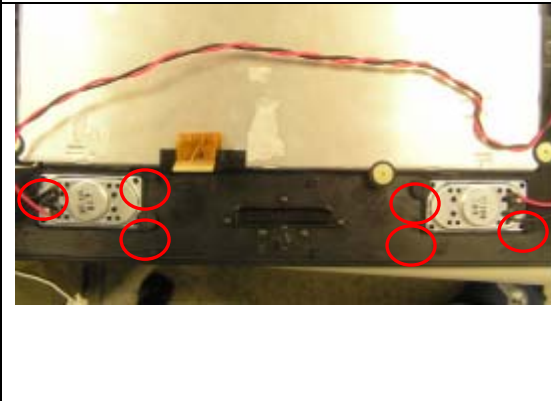

4.0 MECHANICAL INSTRUCTION

Disassembly Procedure			Spare Parts
	1	Remove five screws on back cabinet to separate top cabinet and back cabinet.	(5pcs) 
	2	Generally open the front cabinet.	
	3	Disassemble FPC from turn board on top cabinet.	
	4	Disassemble connector of speaker from main board.	





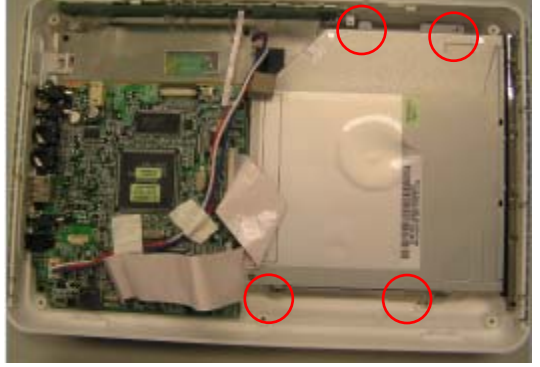





4.0 MECHANICAL INSTRUCTION

	5	After 3 and 4 procedures, we will get top cabinet assembly and back cabinet assembly.	
	6	Remove three conductive fabrics.	(3pcs) 
	7	Disassemble FPC of TFT-LCD from turn board.	

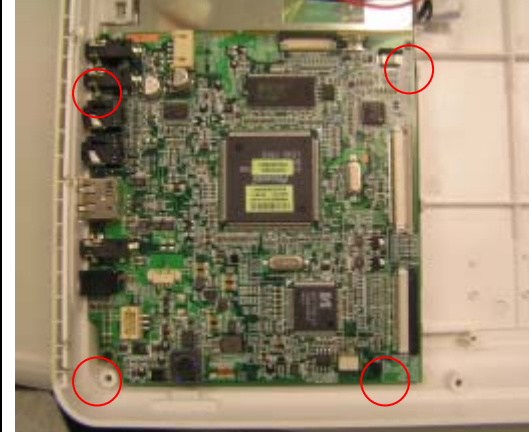

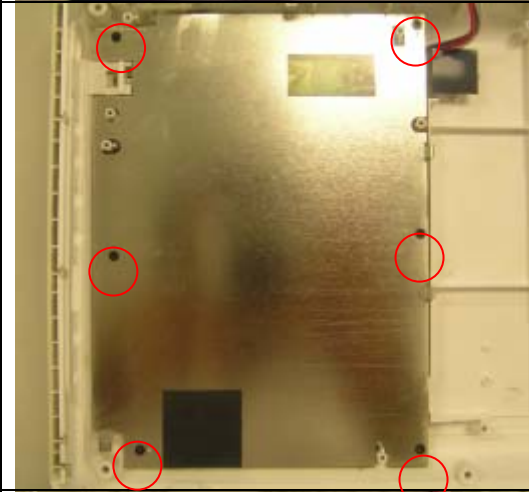

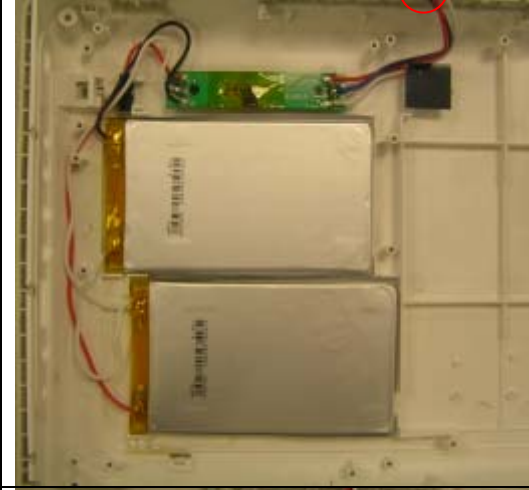


4.0 MECHANICAL INSTRUCTION

	8	Remove six screws on turn board and jogging board. Disassemble connector of TFT-LCD from turn board.	(6pcs) 
	9	Remove two screws on eject board.	(2pcs) 
	10	Remove all PCB boards on top cabinet. Remove six screws on speaker, and then remove speaker.	(6pcs) 

4.0 MECHANICAL INSTRUCTION

	<p>11</p>	<p>Remove six screws and sponges on TFT-LCD.</p>	<p>(6pcs)</p>  <p>(6pcs)</p> 
	<p>12</p>	<p>Remove TFT-LCD and disassembly of top cabinet is ok.</p>	
	<p>13</p>	<p>Remove four screws on driver and FFC of driver from main board.</p>	<p>(4pcs)</p>  
	<p>14</p>	<p>Remove top keypad board from back cabinet, and disassemble FFC from main board.</p>	 

4.0 MECHANICAL INSTRUCTION

	15	Remove four screws on main board.	(4pcs) 
	16	Remove six screws on plate metal EMI.	(6pcs) 
	17	Remove two screws on PCB of battery.	(2pcs) 
	18	Use tool to remove battery from back cabinet.	

4.0 MECHANICAL INSTRUCTION

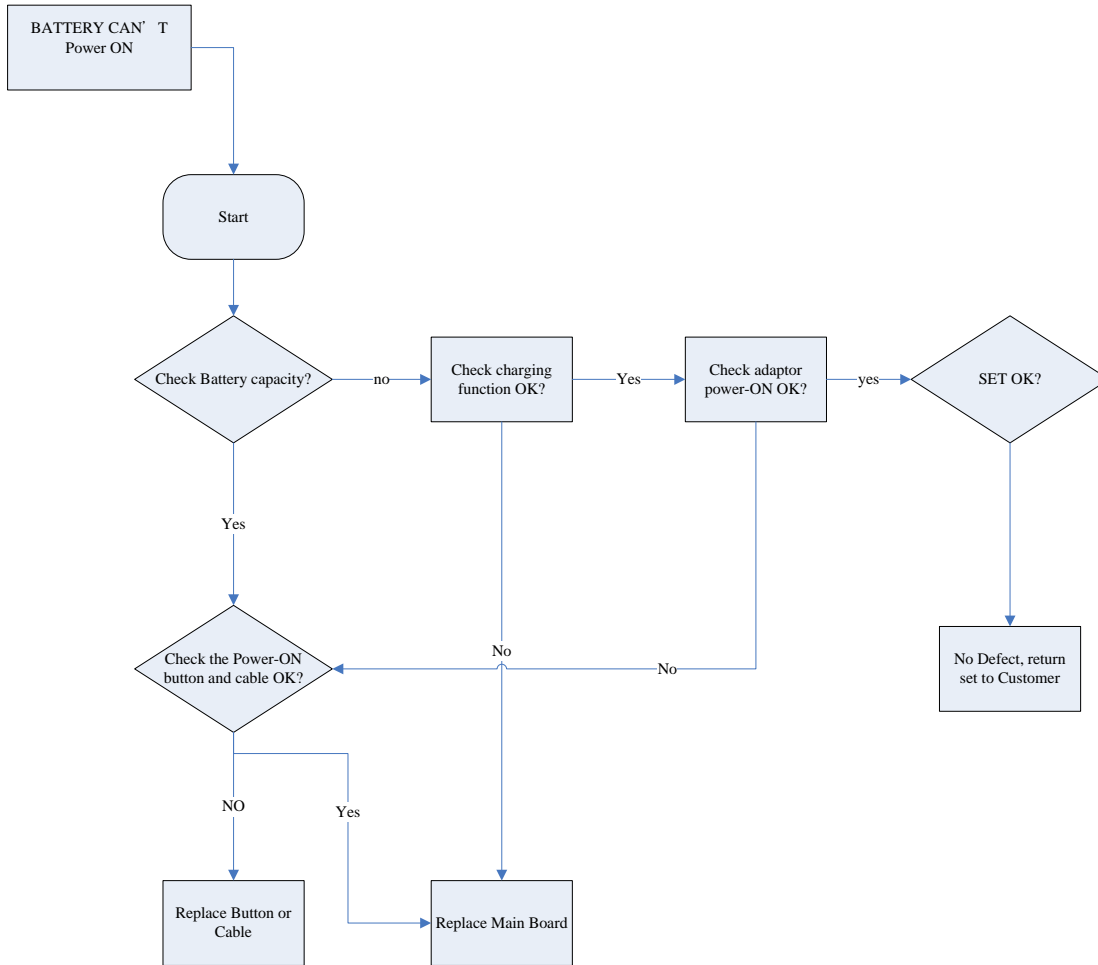


19

Finally, we will get the back cabinet.

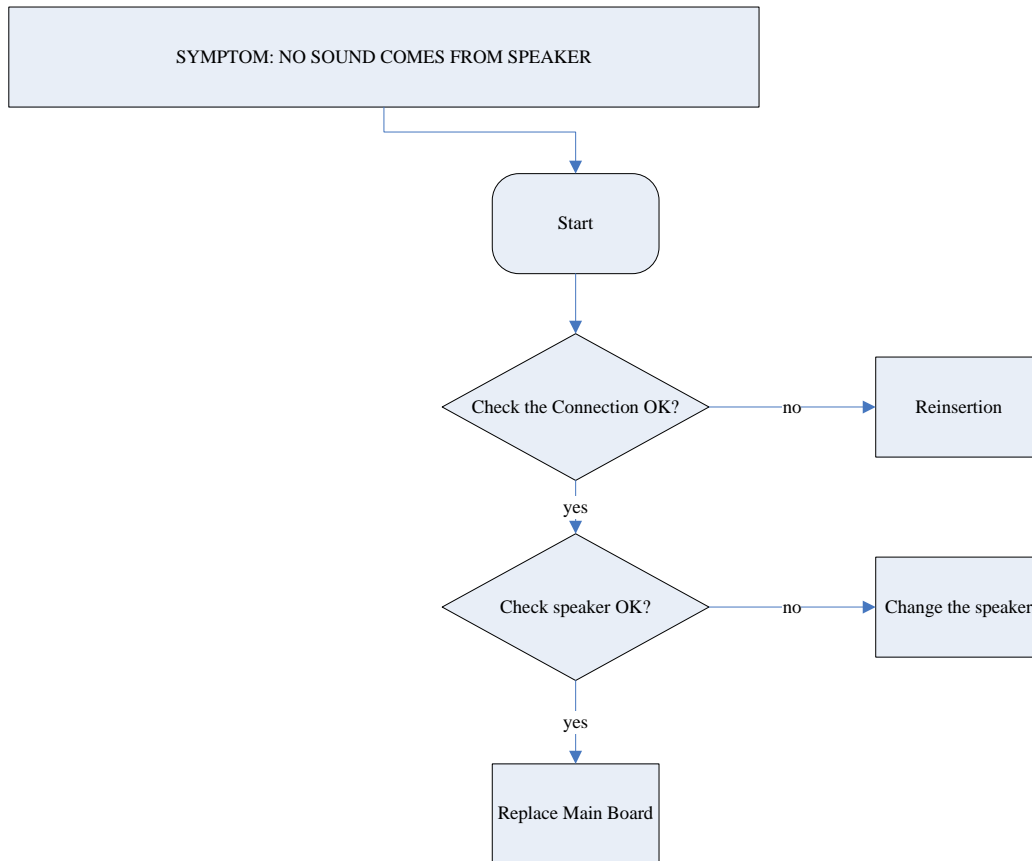
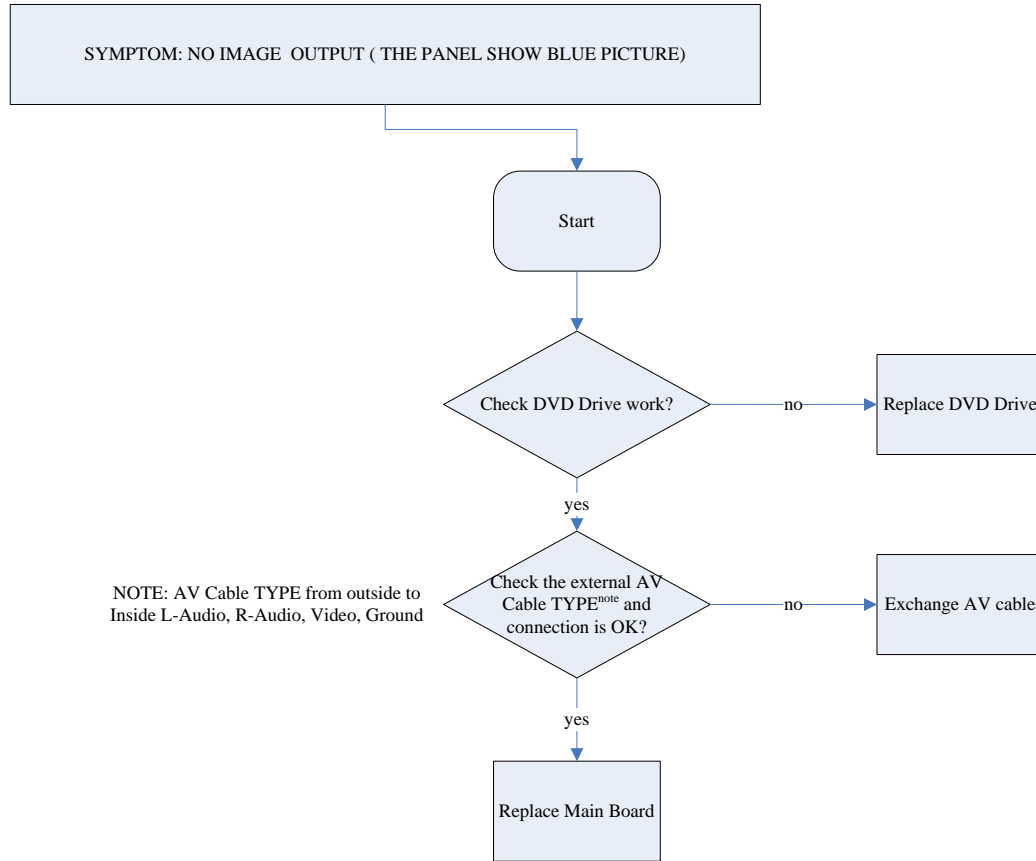
5.0 TROUBLESHOOTING

SYMPTOM: BATTERY NO POWER



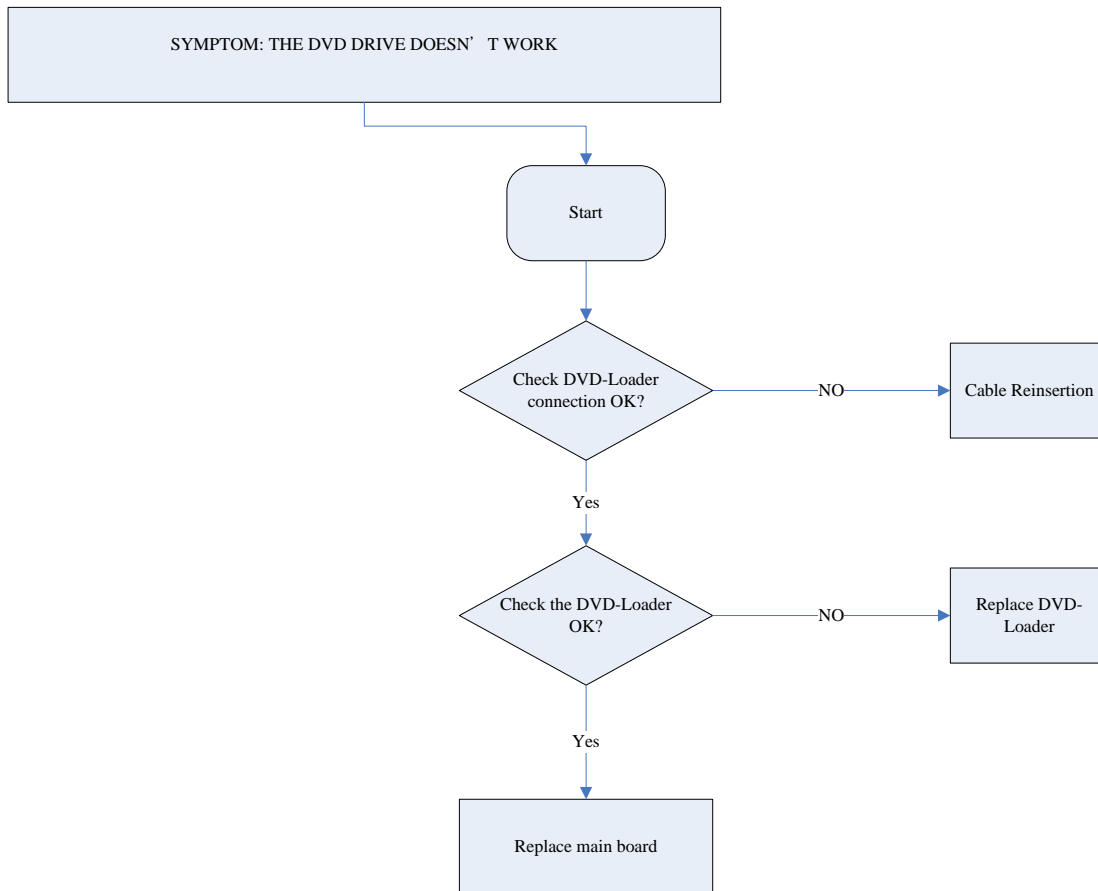
5.0 TROUBLESHOOTING

SYMPTOM: NO IMAGE / NO SOUND



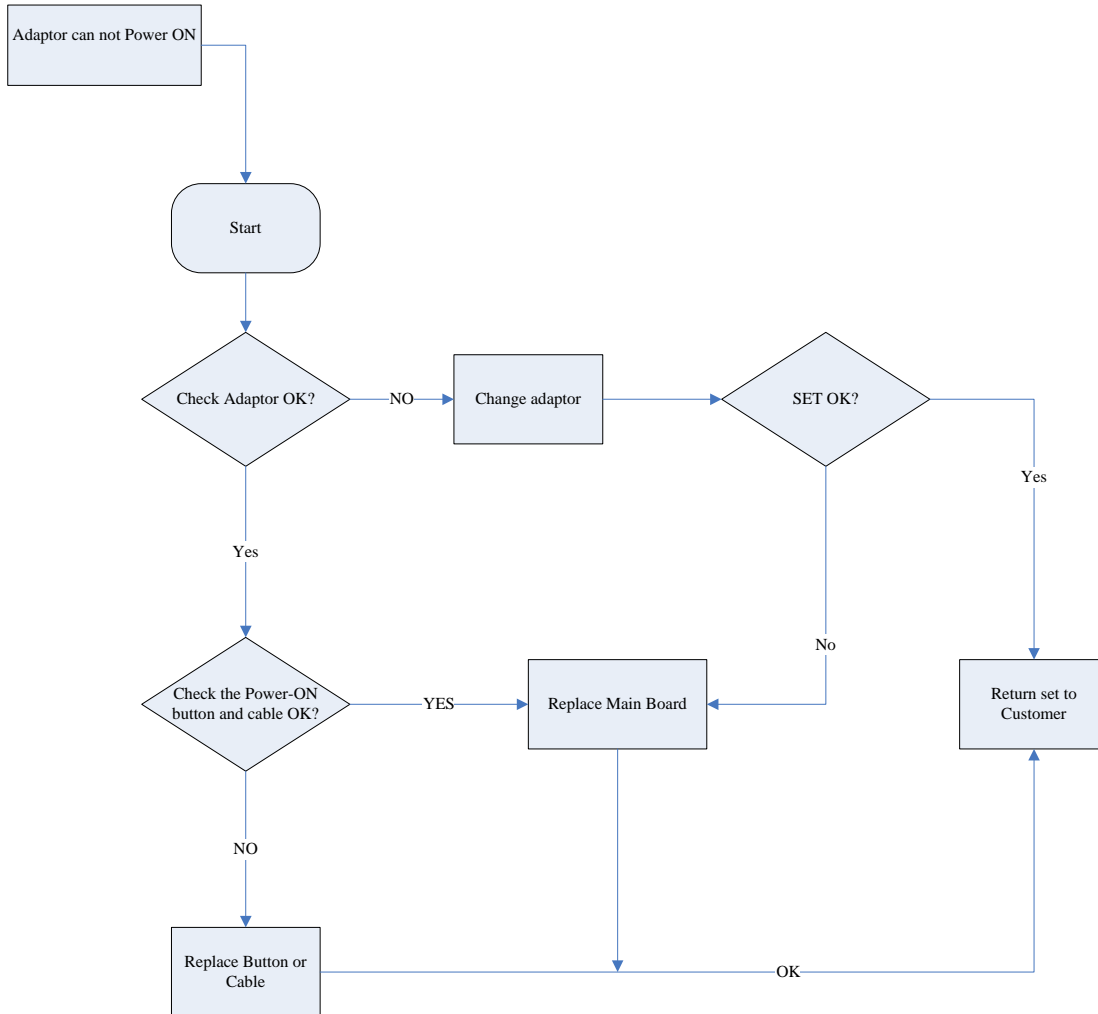
5.0 TROUBLESHOOTING

SYMPTOM: THE DVD DRIVE DOES NOT WORK



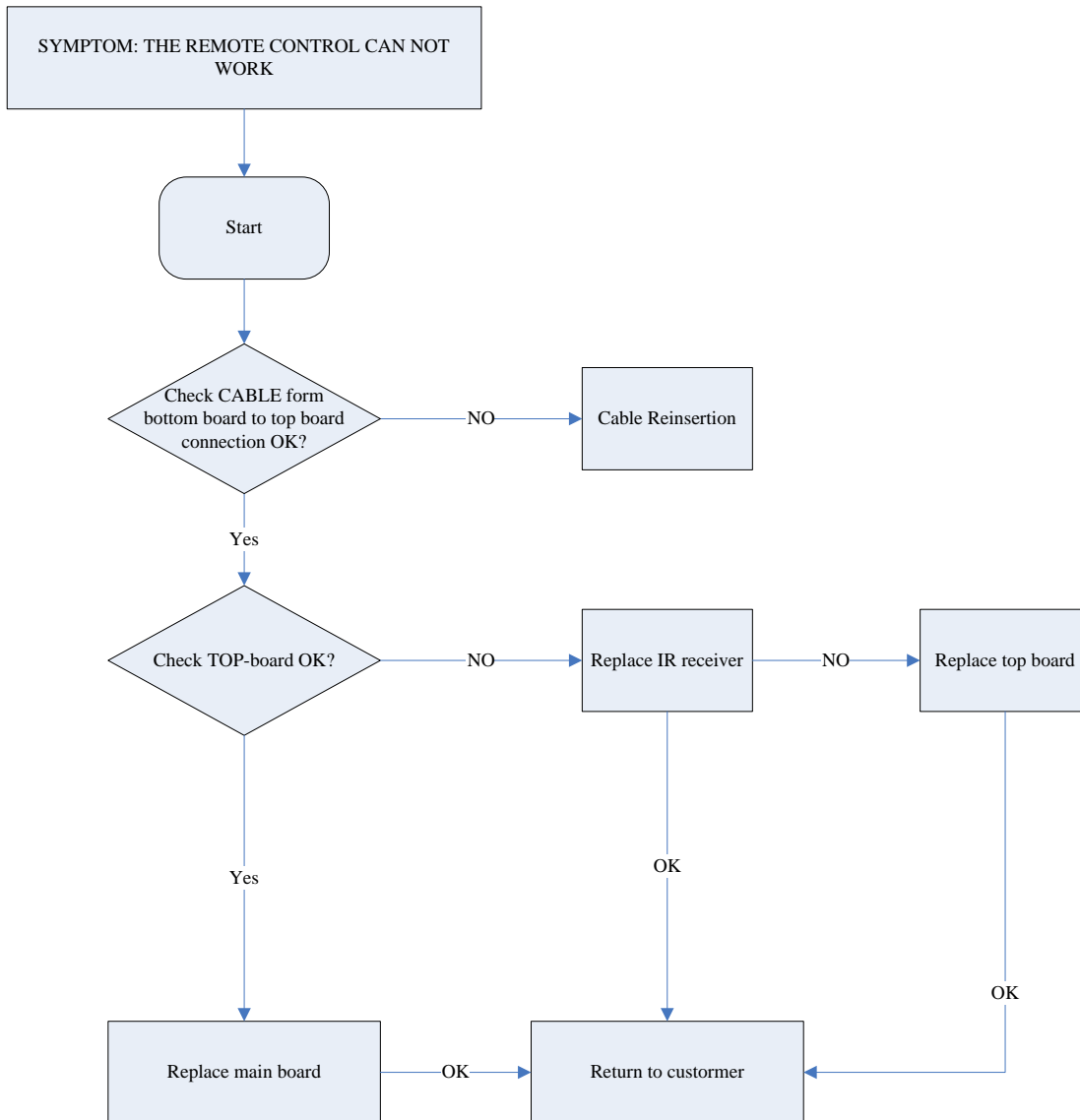
5.0 TROUBLESHOOTING

SYMPTOM: ADAPTOR CANNOT POWER ON



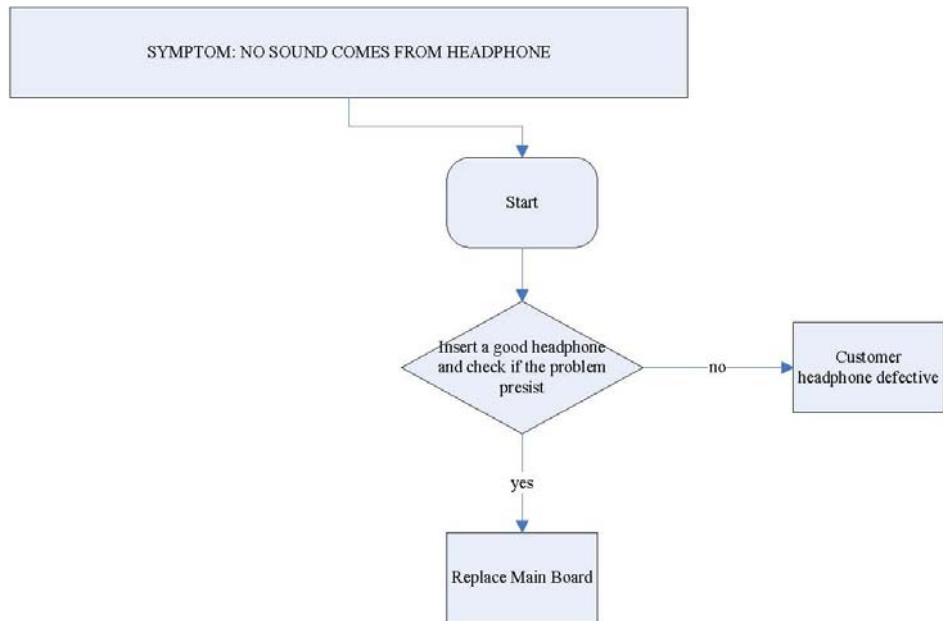
5.0 TROUBLESHOOTING

SYMPTOM: REMOTE CONTROL CANNOT WORK



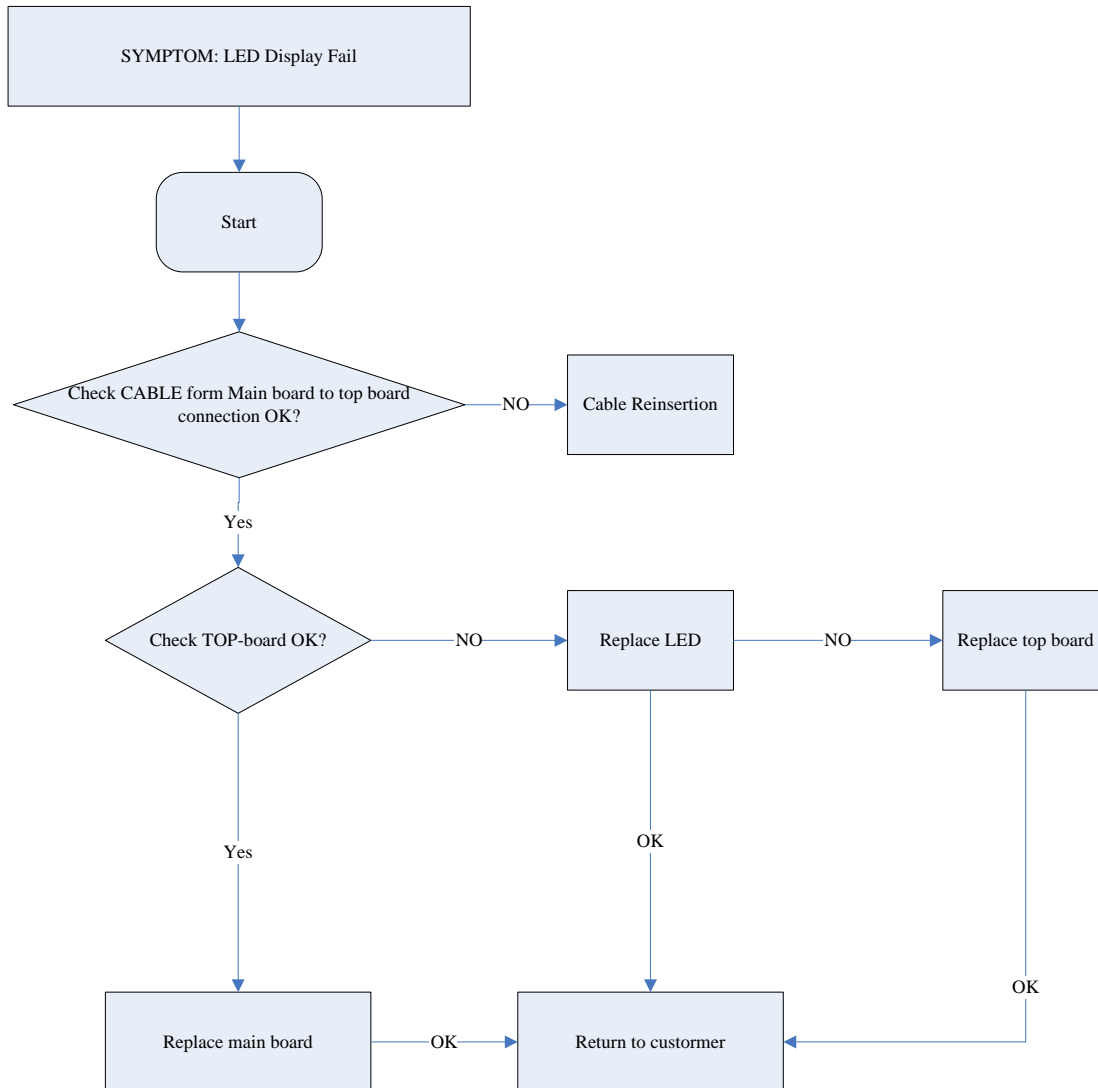
5.0 TROUBLESHOOTING

SYMPTOM: NO SOUND FROM HEADPHONE



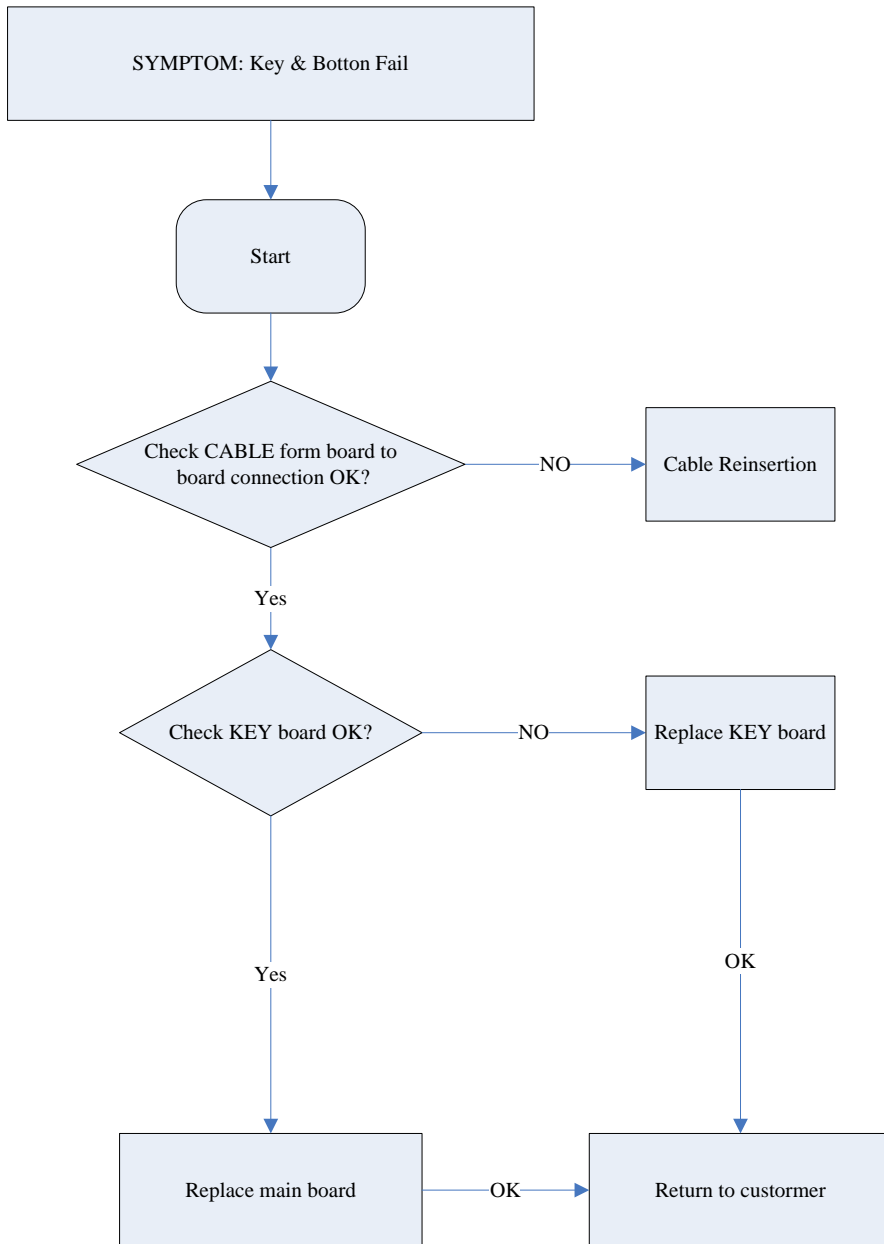
5.0 TROUBLESHOOTING

SYMPTOM: LED DISPLAY FAILURE

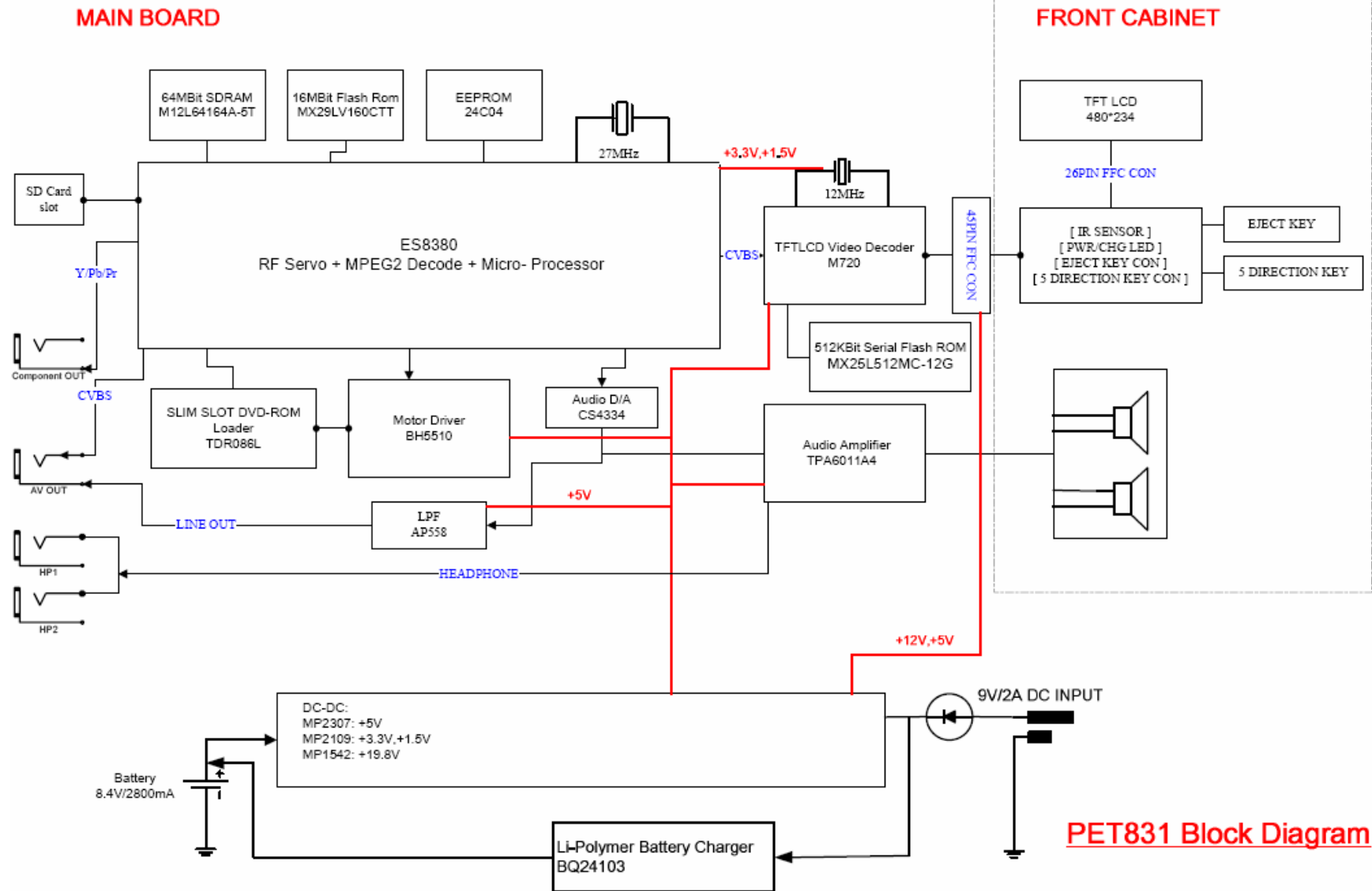


5.0 TROUBLESHOOTING

SYMPTOM: KEY & BOTTON FAILURE



6.0 OVERALL BLOCK DIAGRAM

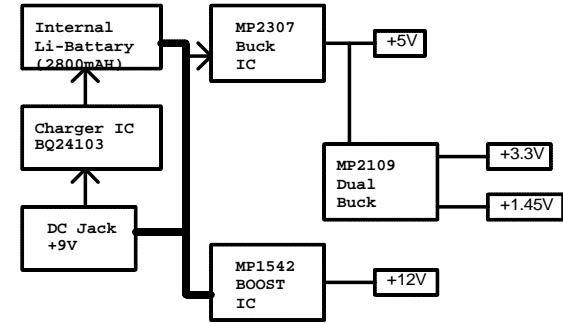


PET831 Block Diagram

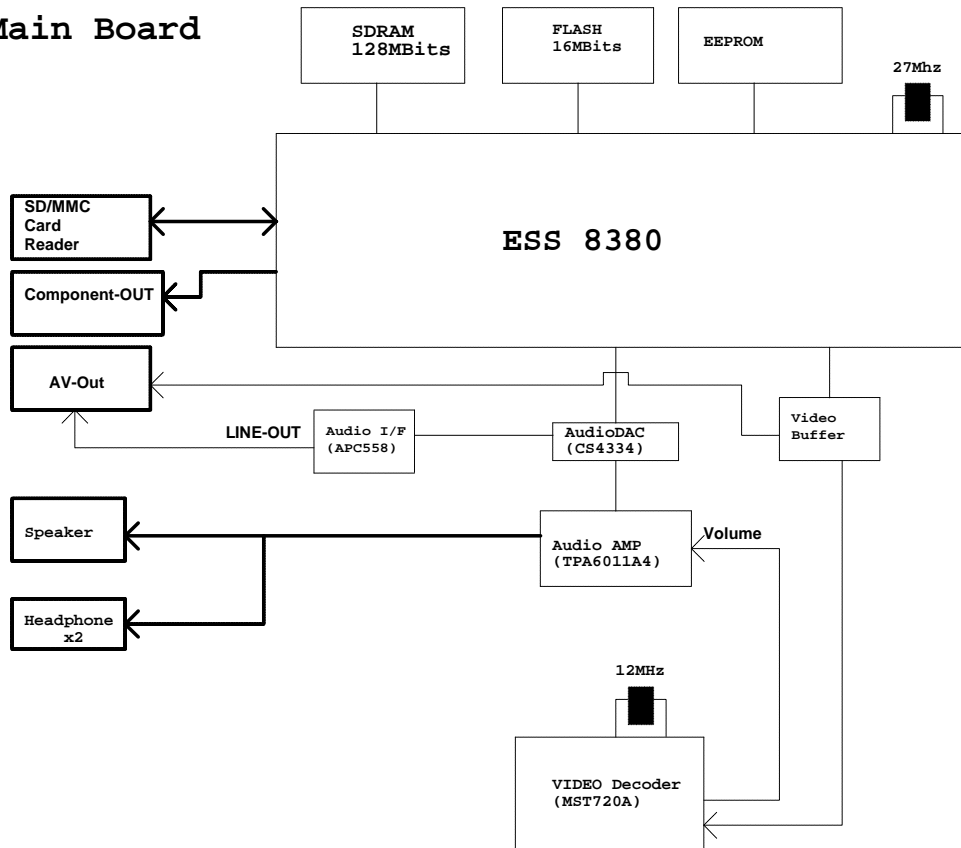
KEY Unit



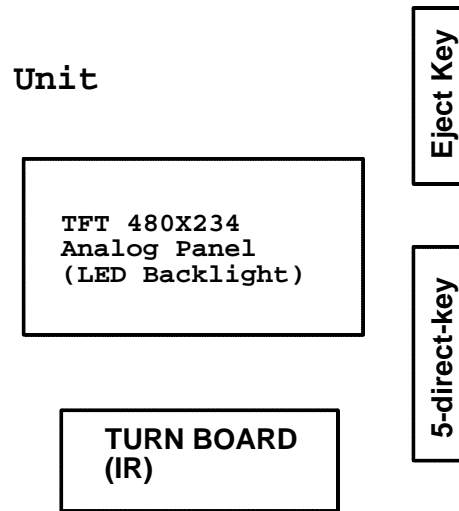
Power Unit



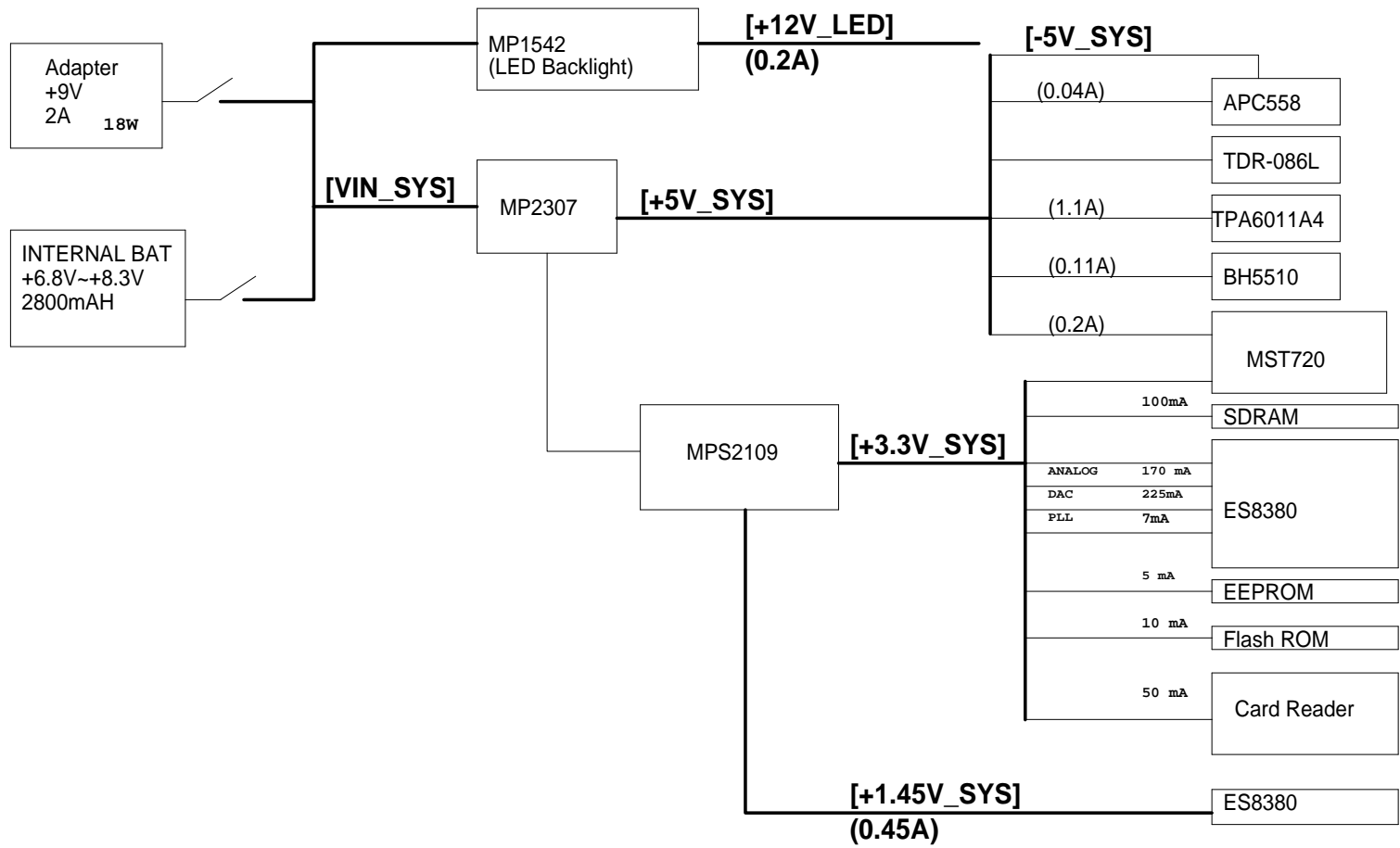
Main Board



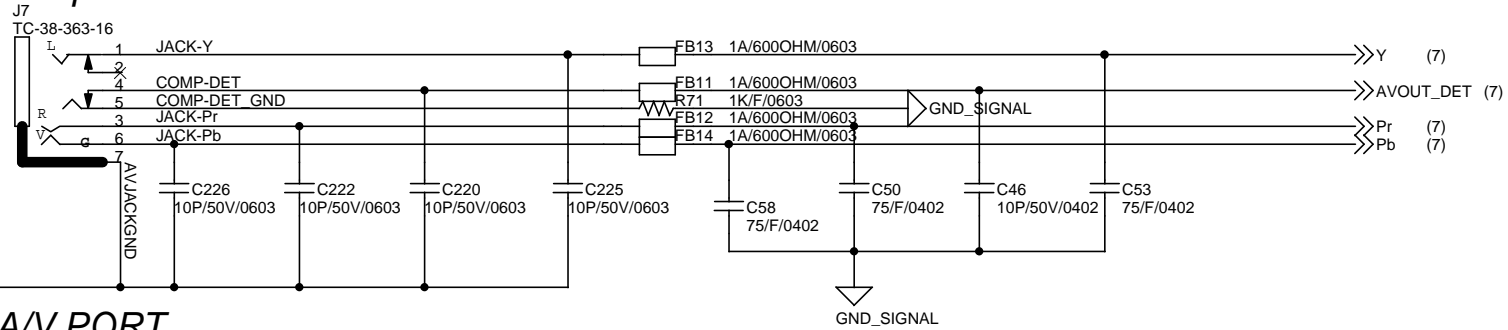
Panel Unit



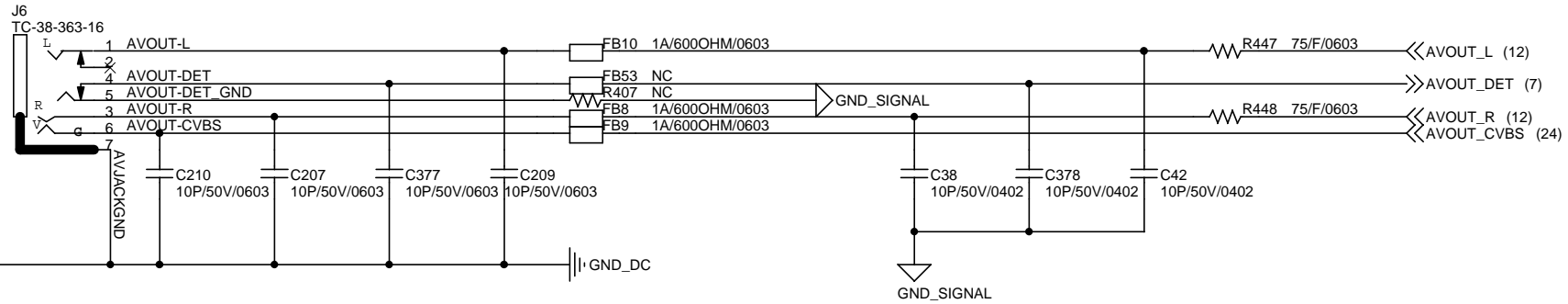
Title			Block Diagram		
Size	Document Number	Rev			
A3	WDR-831	C			
Date:	Thursday, December 13, 2007	Sheet	1	of	27



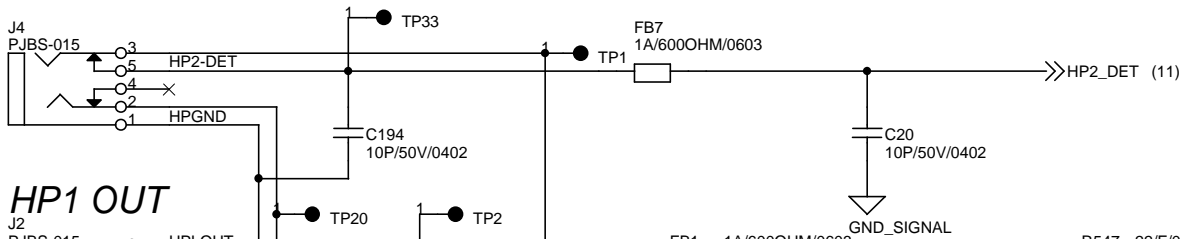
Component PORT



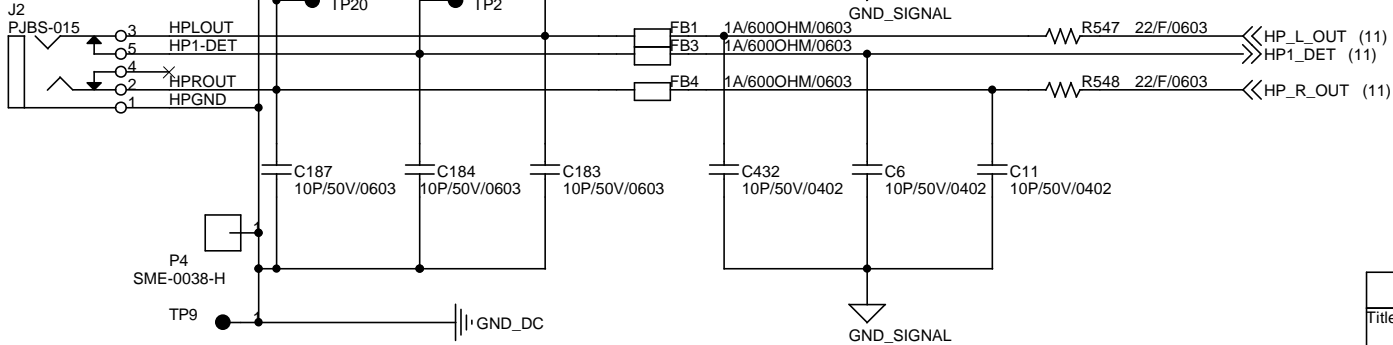
AV PORT



HP2 OUT

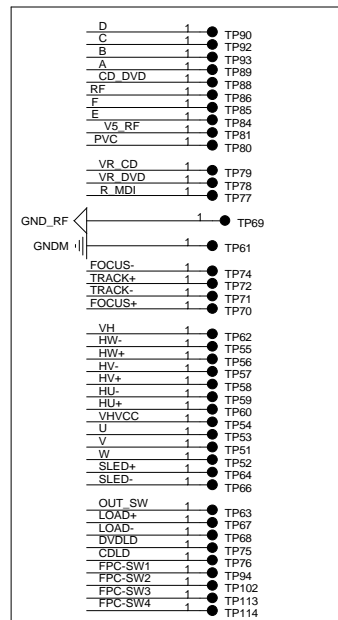
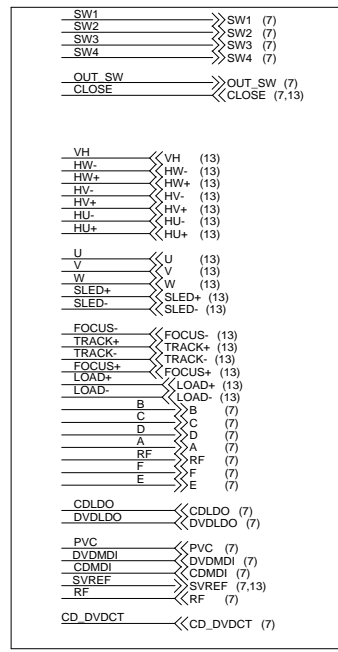
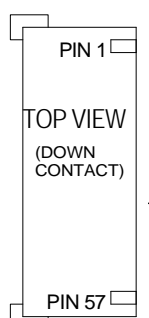
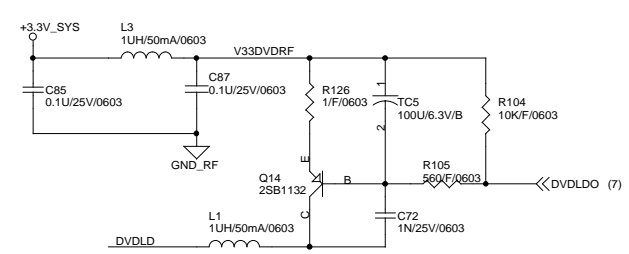
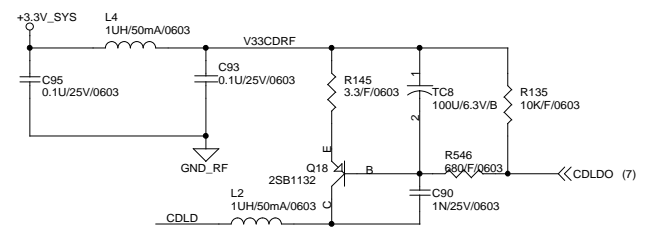
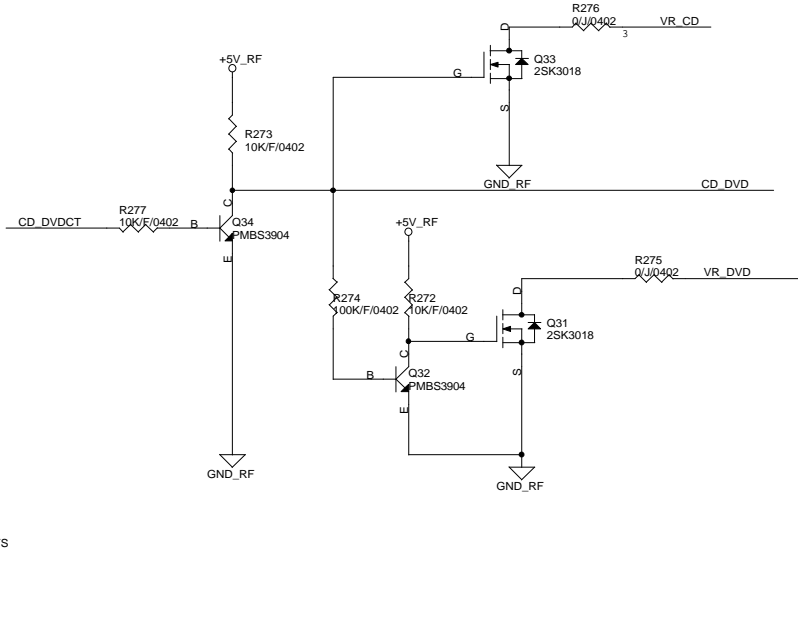
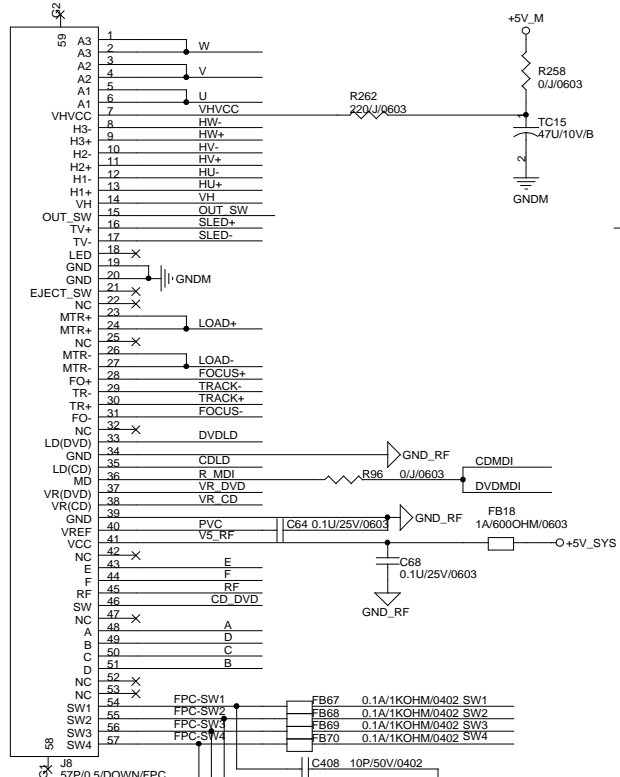


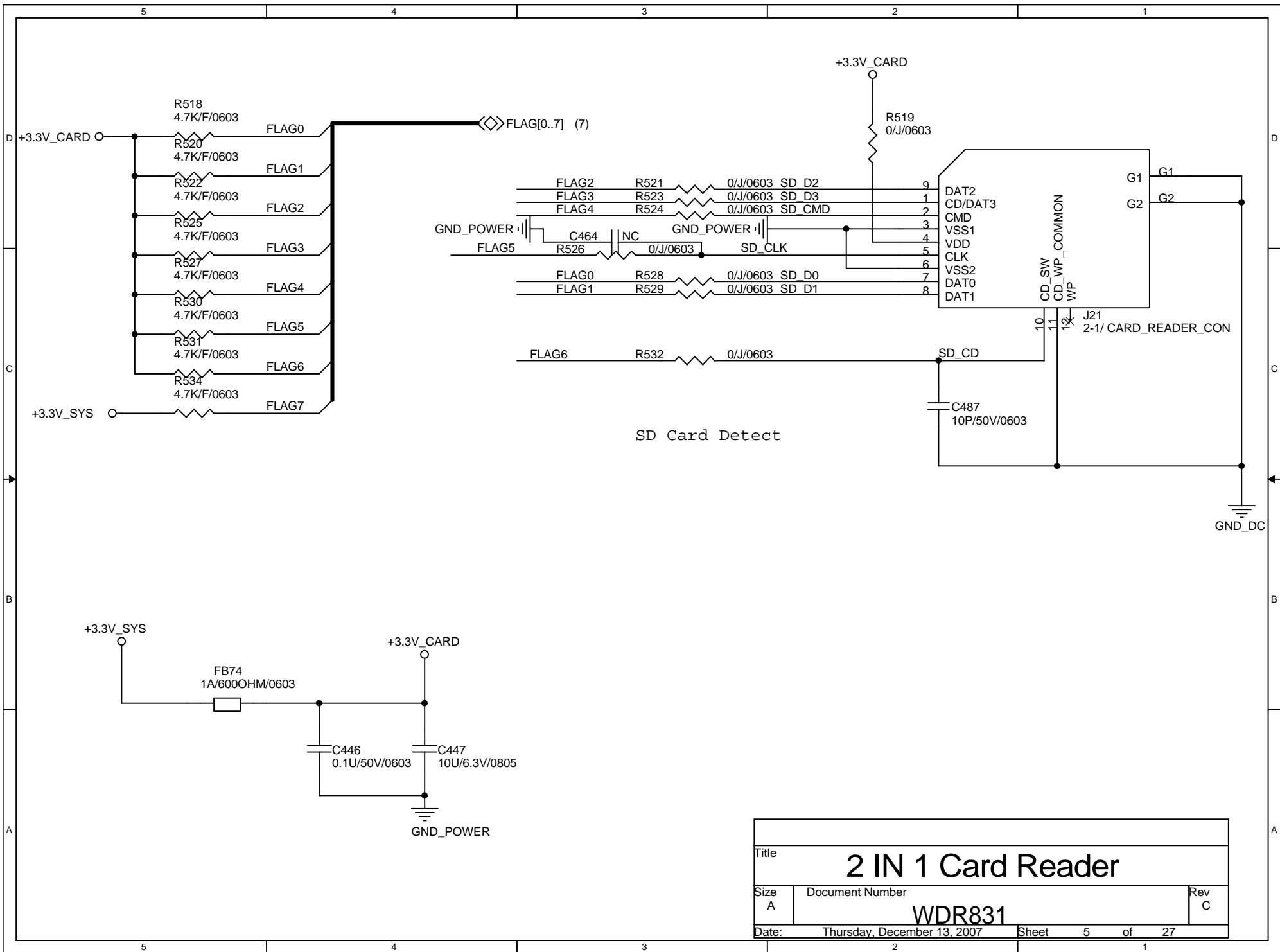
HP1 OUT



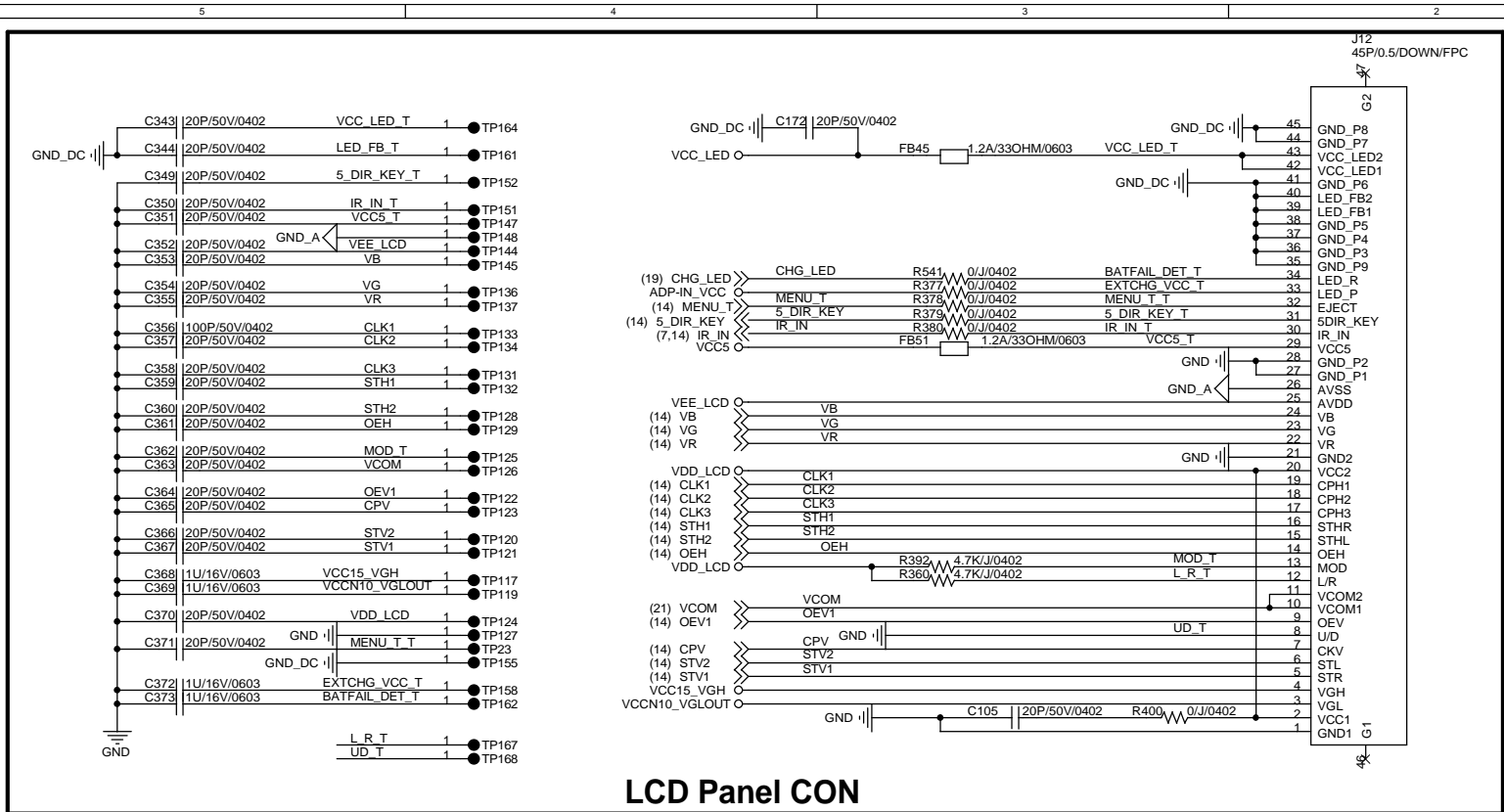
Title		
Audio/Video PORT		
Size	Document Number	Rev
A4	WDR831	C
Date: Thursday, December 13, 2007		Sheet 3 of 27

TopRay + QSI TDR086L SLOT-IN Loader

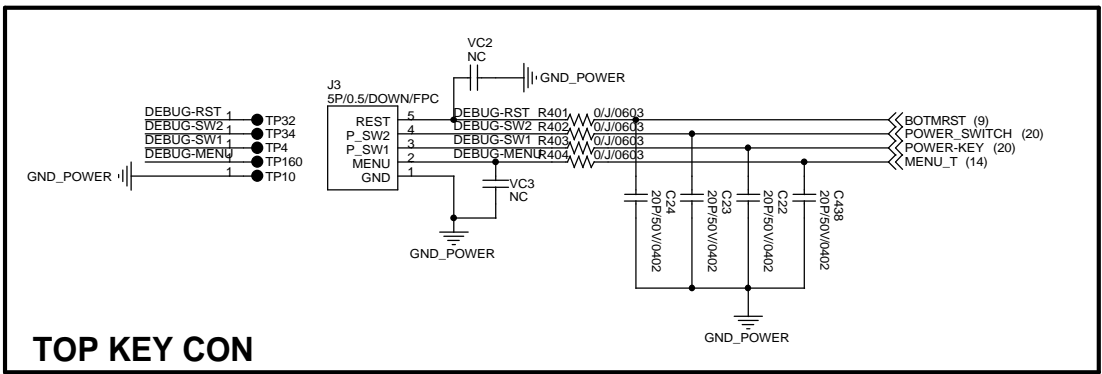




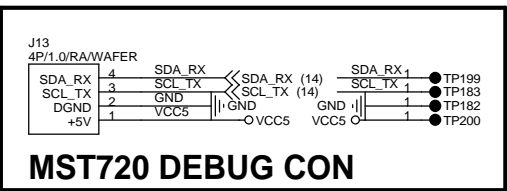
Title		
2 IN 1 Card Reader		
Size	Document Number	Rev
A	WDR831	C
Date:	Thursday, December 13, 2007	Sheet 5 of 27



LCD Panel CON

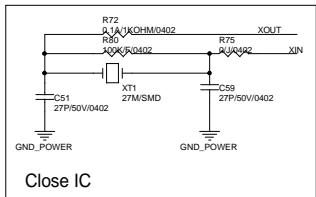


TOP KEY CON

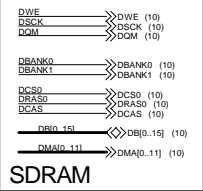


MST720 DEBUG CON

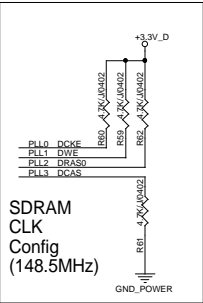
Title		
CON of LCD<->MAIN		
Size	Document Number	Rev
B	WDR831	C
Date:	Thursday, December 13, 2007	Sheet 6 of 27



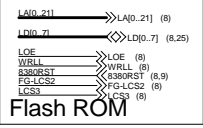
Close IC



SDRAM



SDRAM CLK Config (148.5MHz)



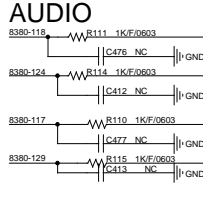
Flash ROM



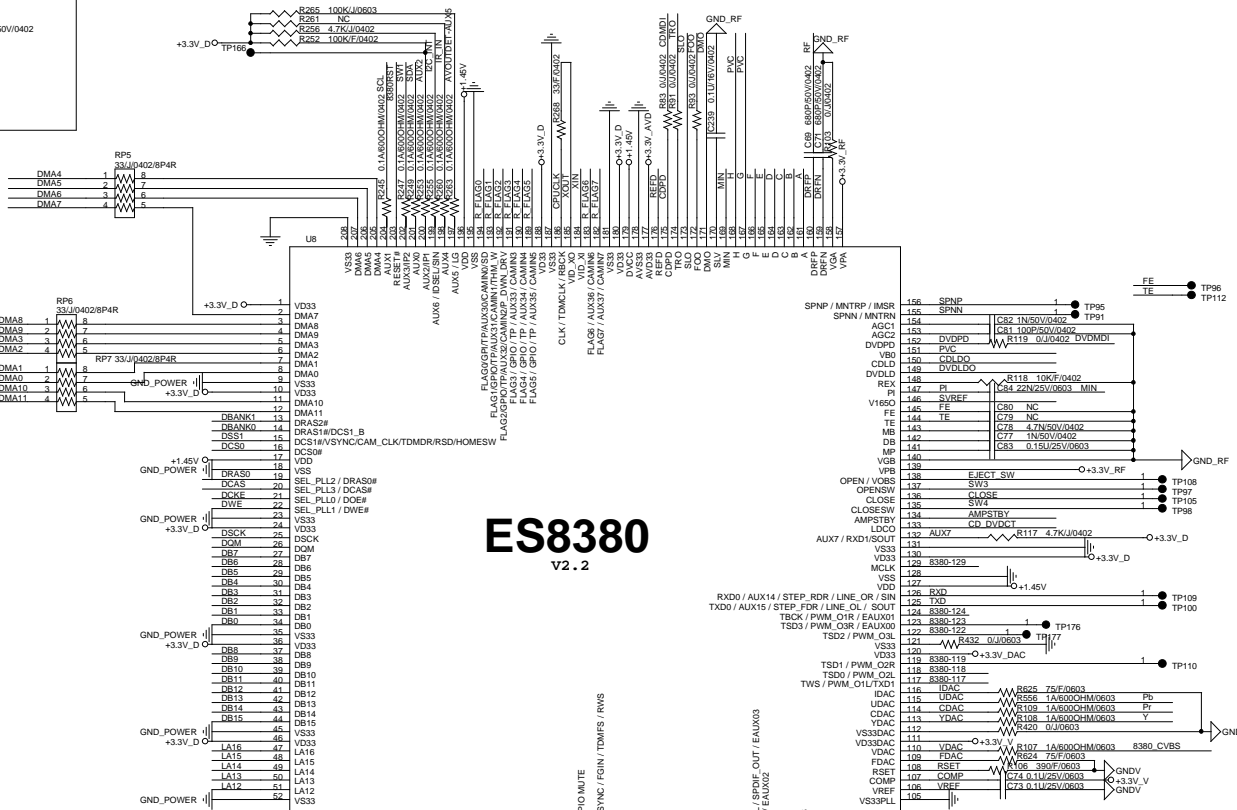
EEPROM & M720



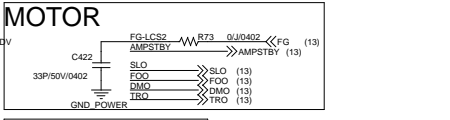
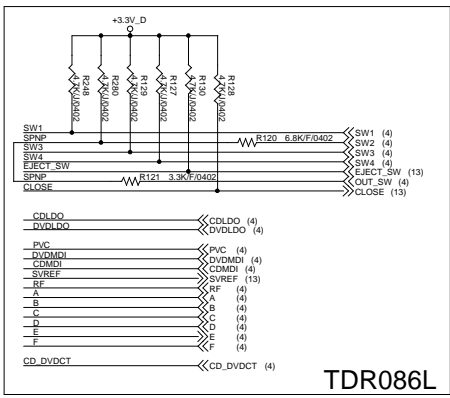
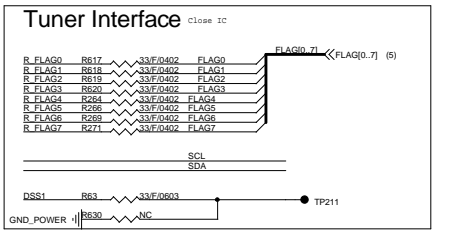
VIDEO



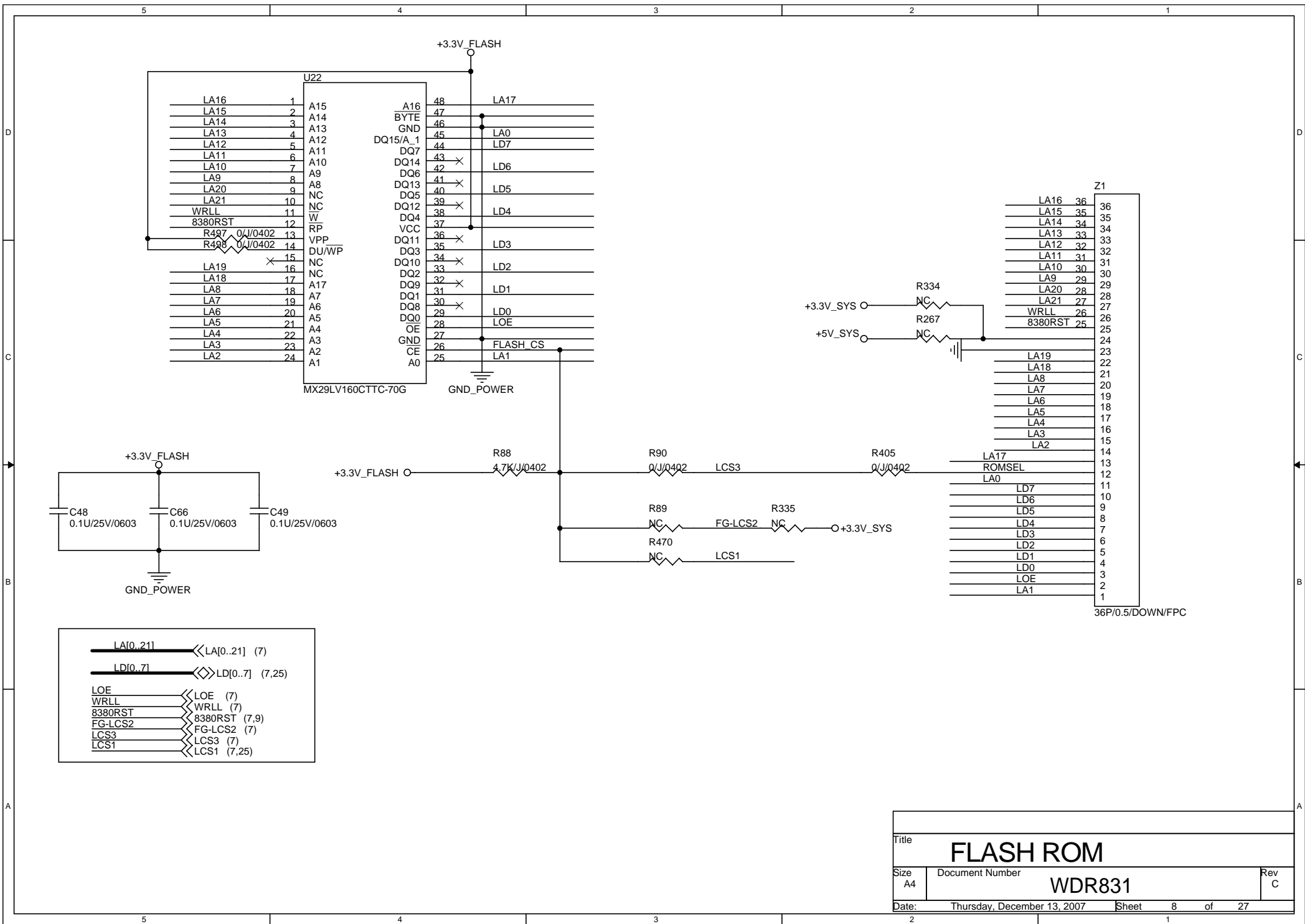
AUDIO

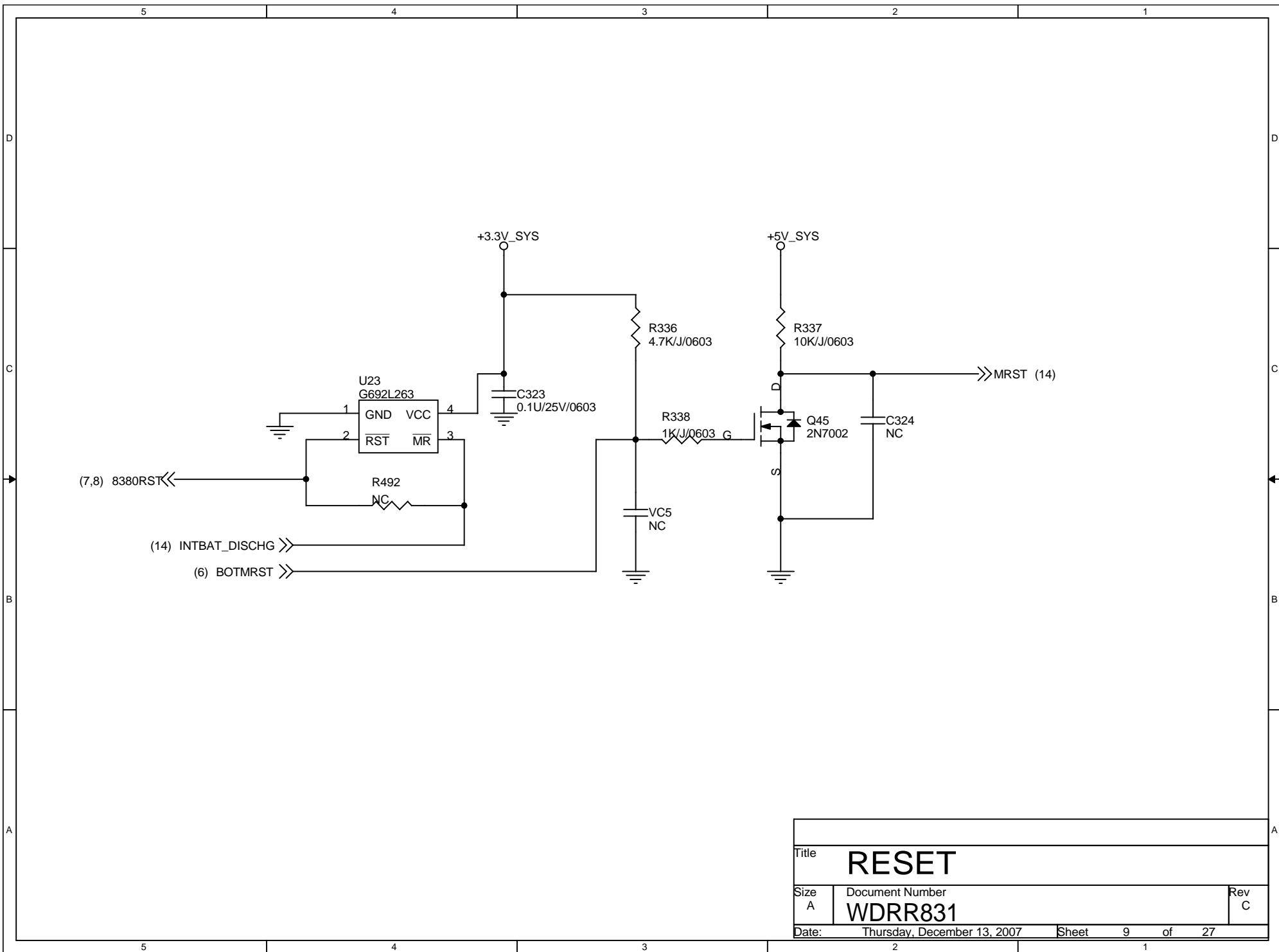


ES8380 V2.2



Title			ES8380
Size	Document Number	WDR831	
Date	Thursday, December 13, 2007	Sheet	7 of 27



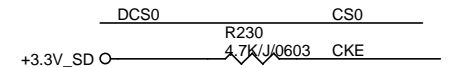
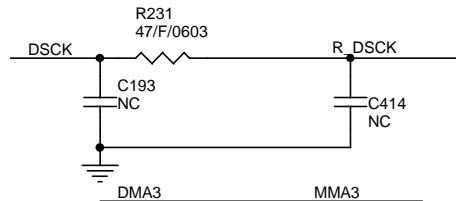


Title		
RESET		
Size	Document Number	Rev
A	WDRR831	C
Date:	Thursday, December 13, 2007	Sheet 9 of 27

DMA10	MMA10
DMA0	MMA0
DMA1	MMA1
DMA2	MMA2

DMA4	MMA4
DMA5	MMA5
DMA6	MMA6
DMA7	MMA7

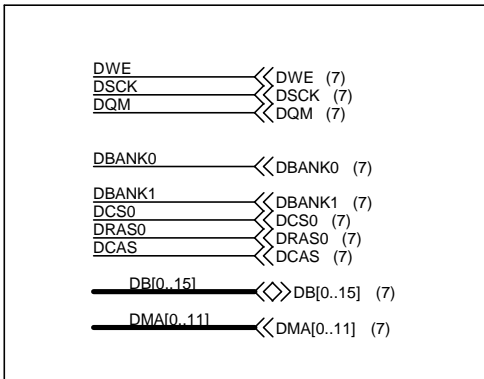
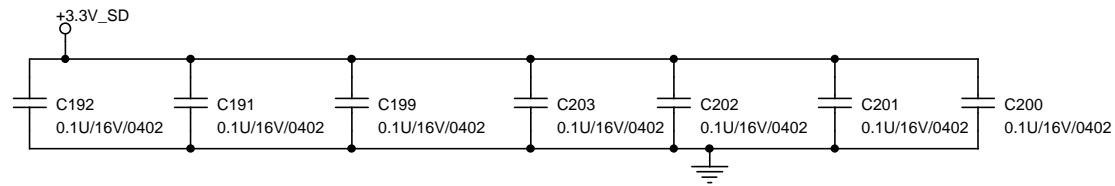
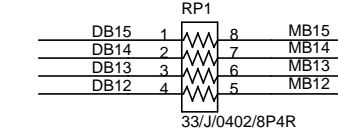
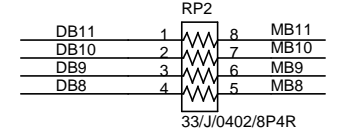
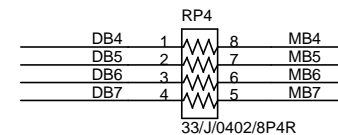
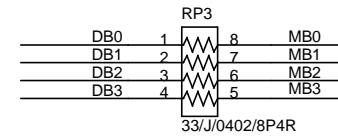
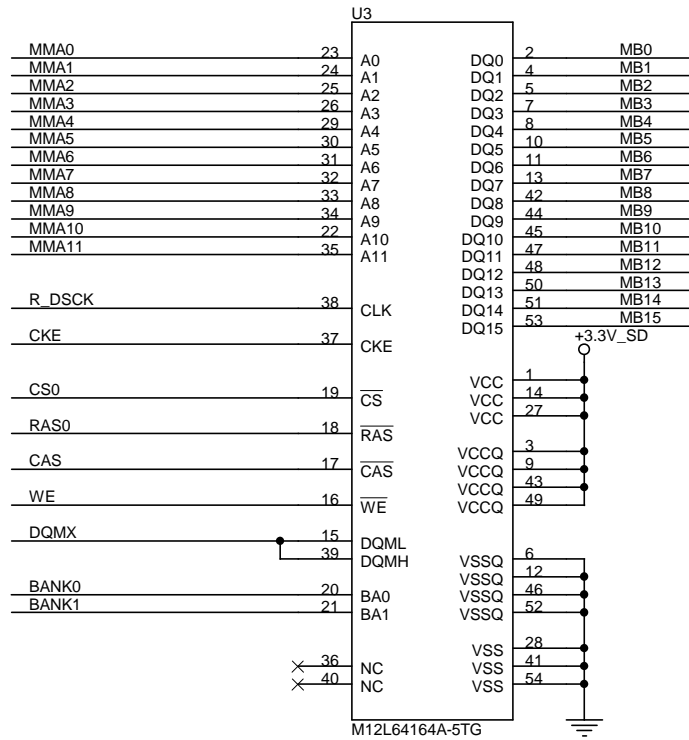
DMA8	MMA8
DMA9	MMA9
DMA11	MMA11



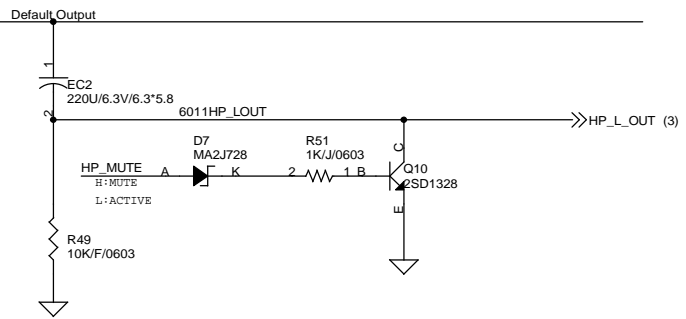
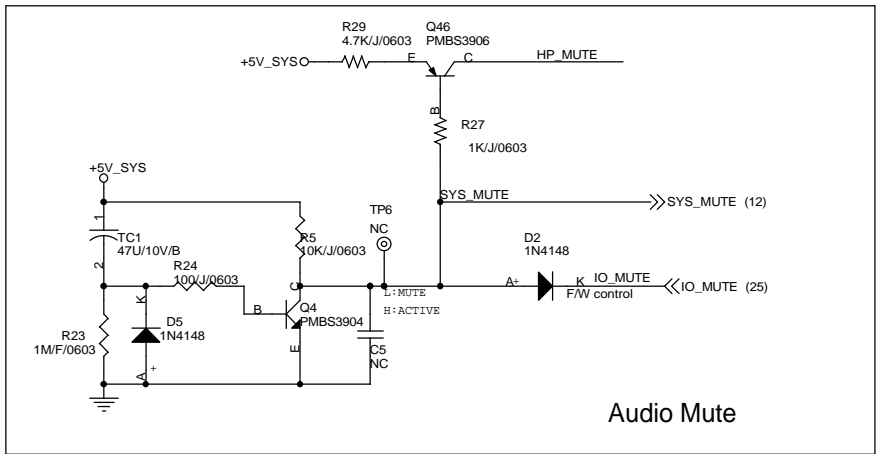
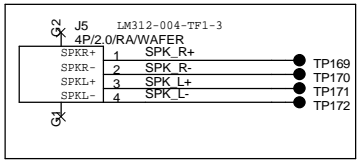
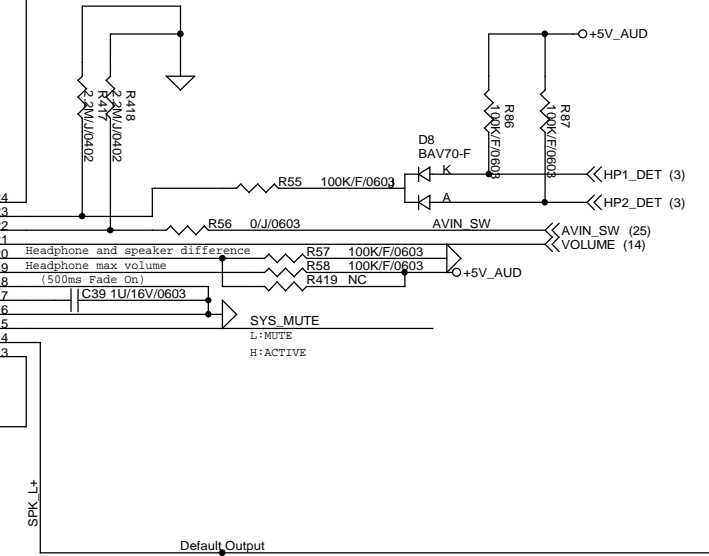
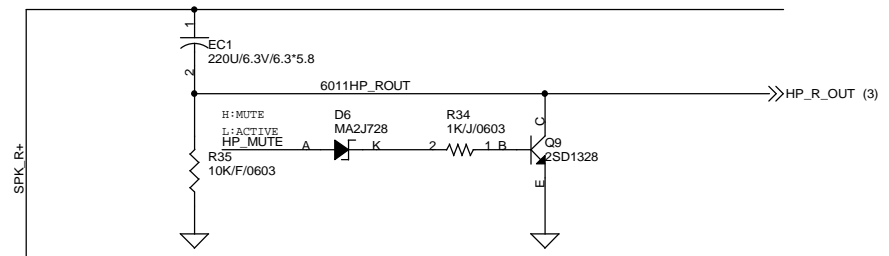
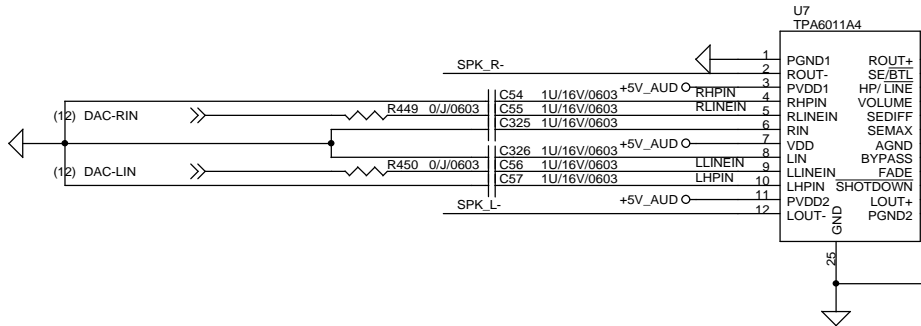
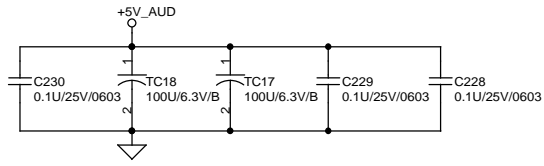
DQM	DQMX
DWE	WE
DCAS	CAS
DRAS0	RAS0

DBANK0 BANK0

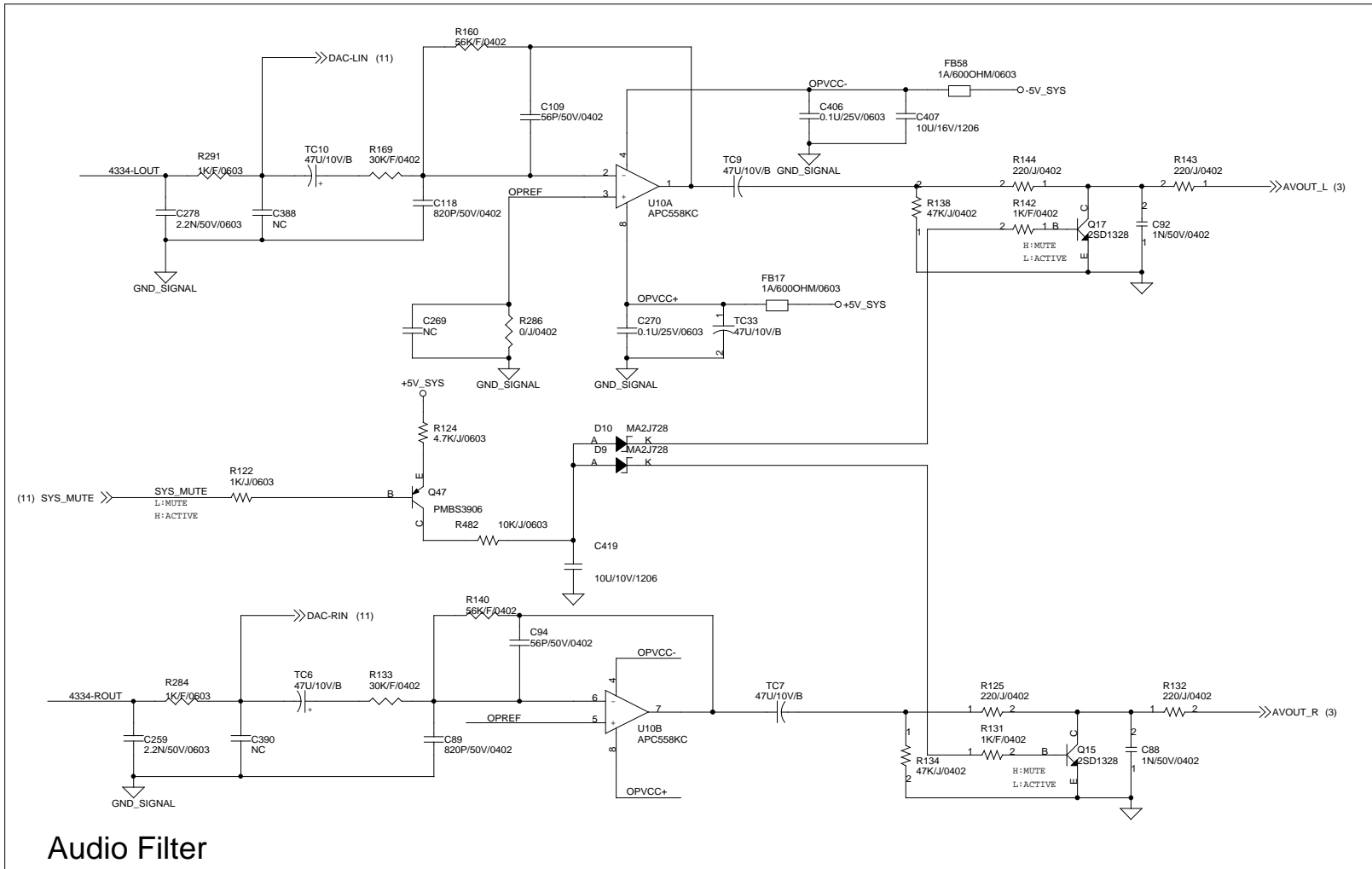
DBANK1 BANK1



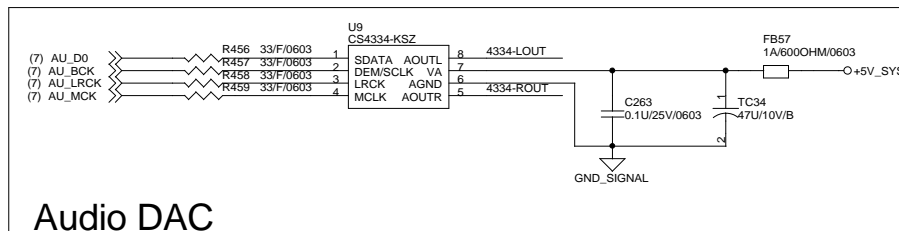
Title		
SDRAM		
Size	Document Number	Rev
A4	WDR831	C
Date:	Thursday, December 13, 2007	Sheet 10 of 27



Title		
AUDIO STEREO AMPLIFER		
Size	Document Number	Rev
B	WDR831	C
Date:	Thursday, December 13, 2007	Sheet 11 of 27

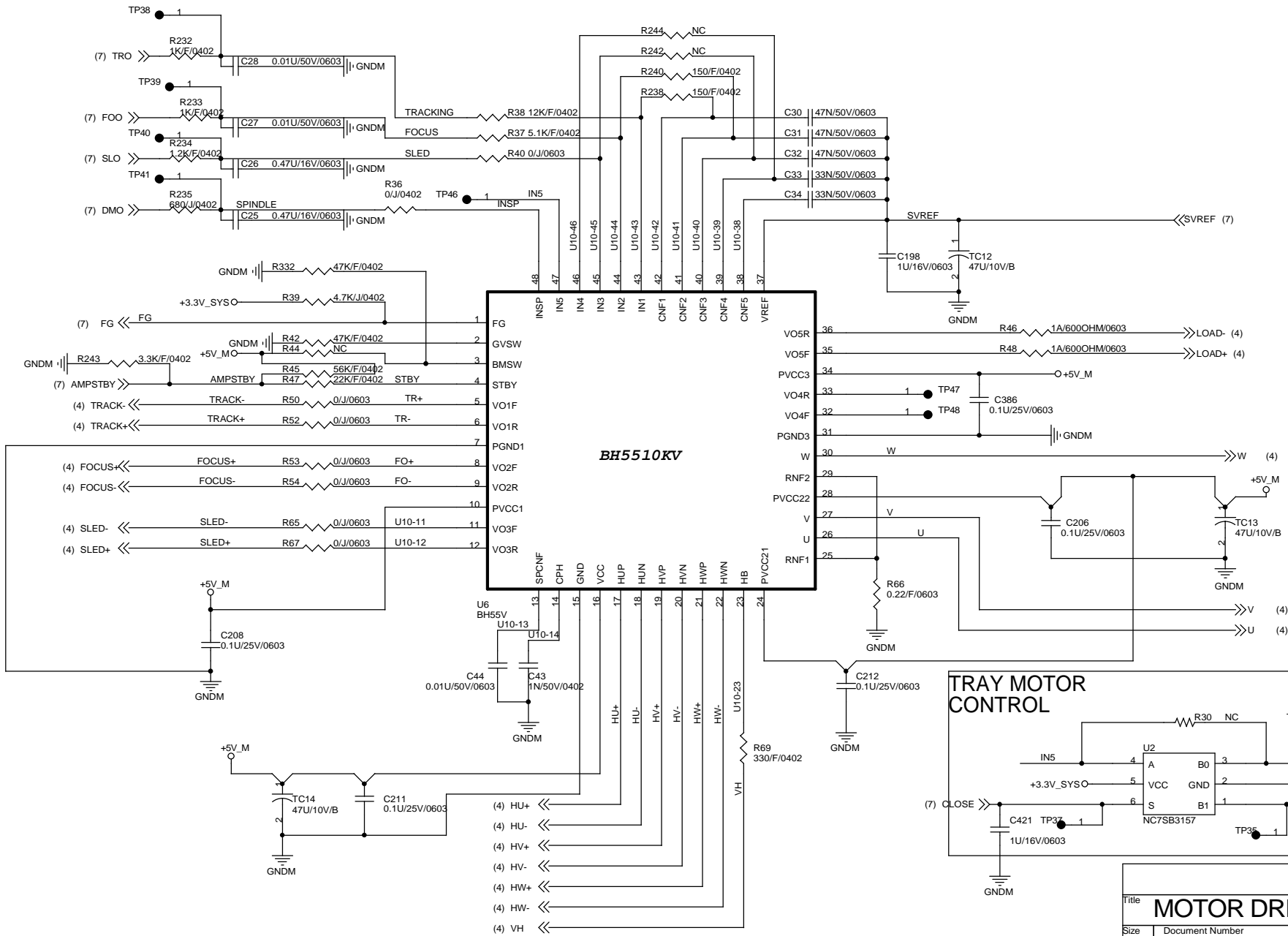


Audio Filter

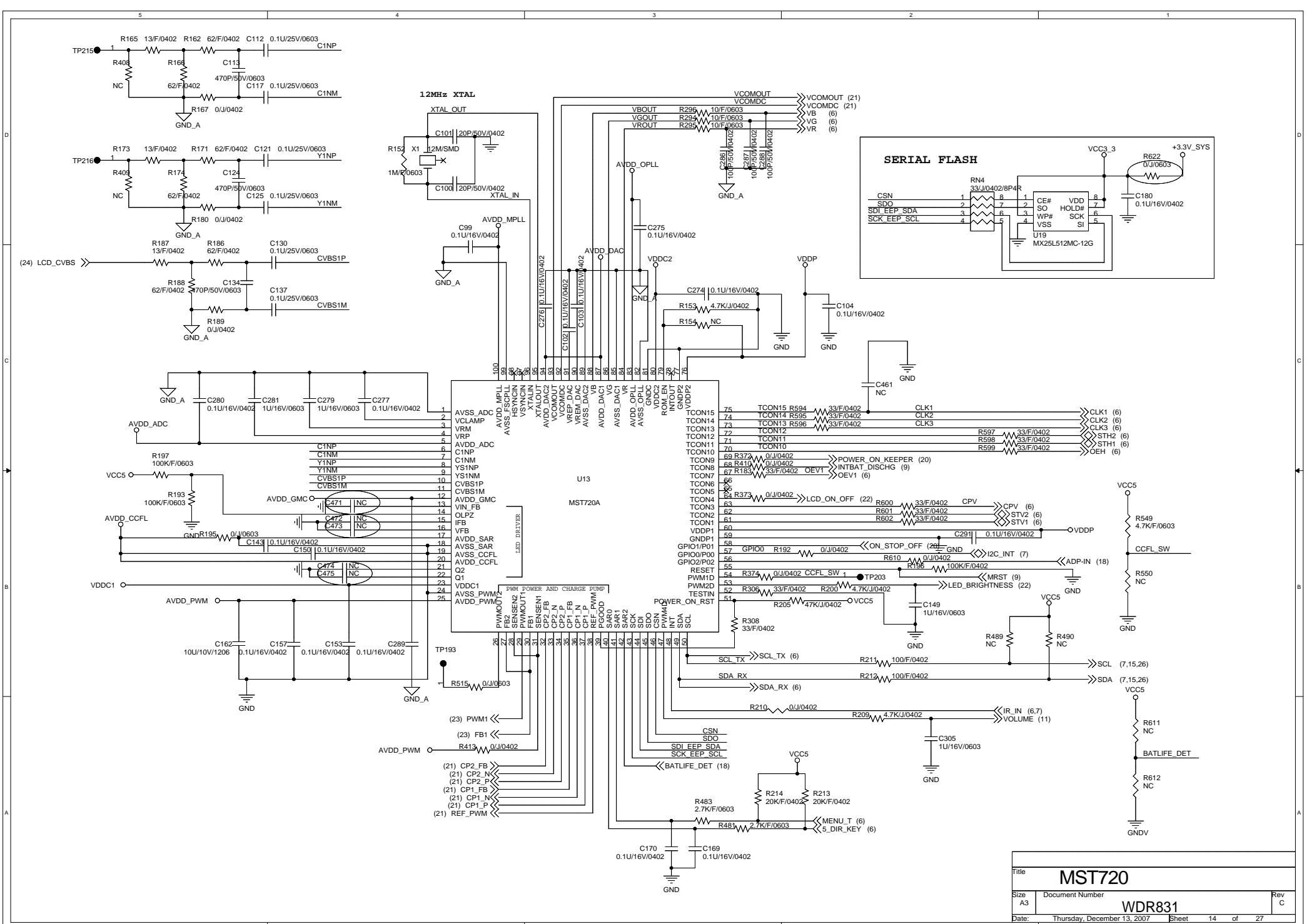


Audio DAC

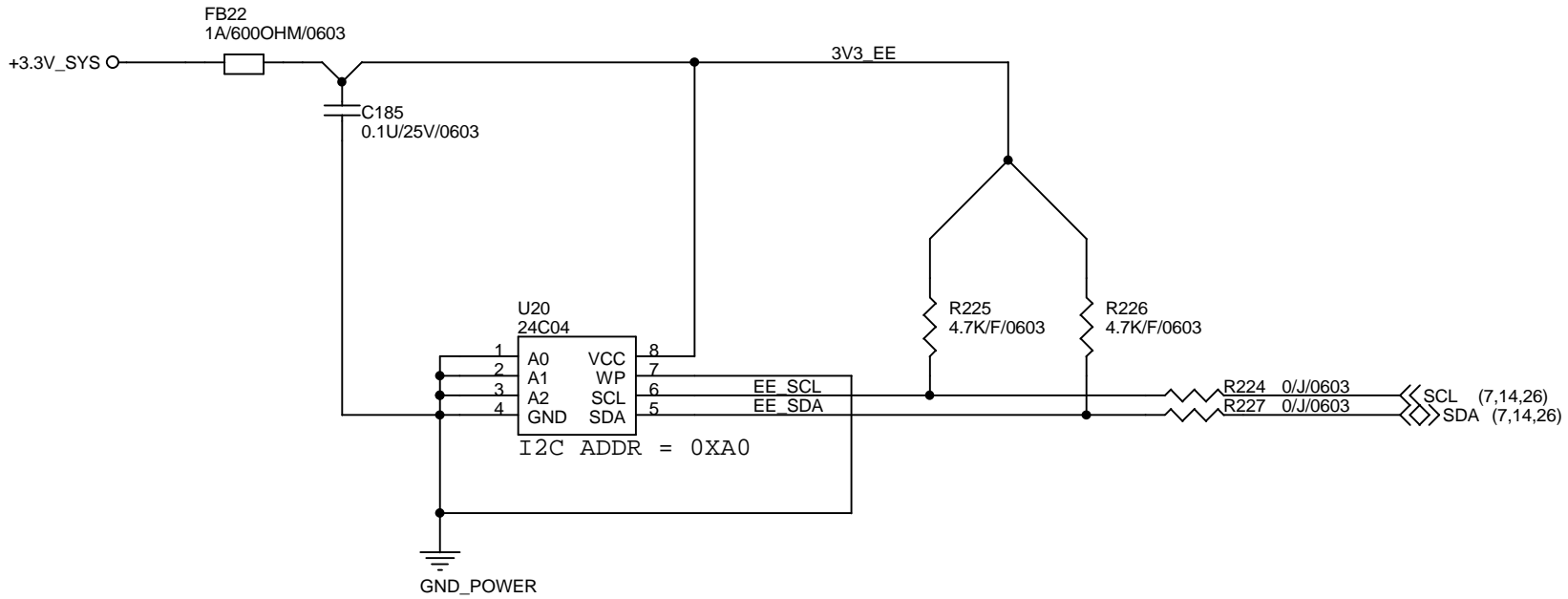
Title		AUDIO FILTER	
Size	Document Number	Rev	
A3	WDR831	C	
Date:	Thursday, December 13, 2007	Sheet	12 of 27



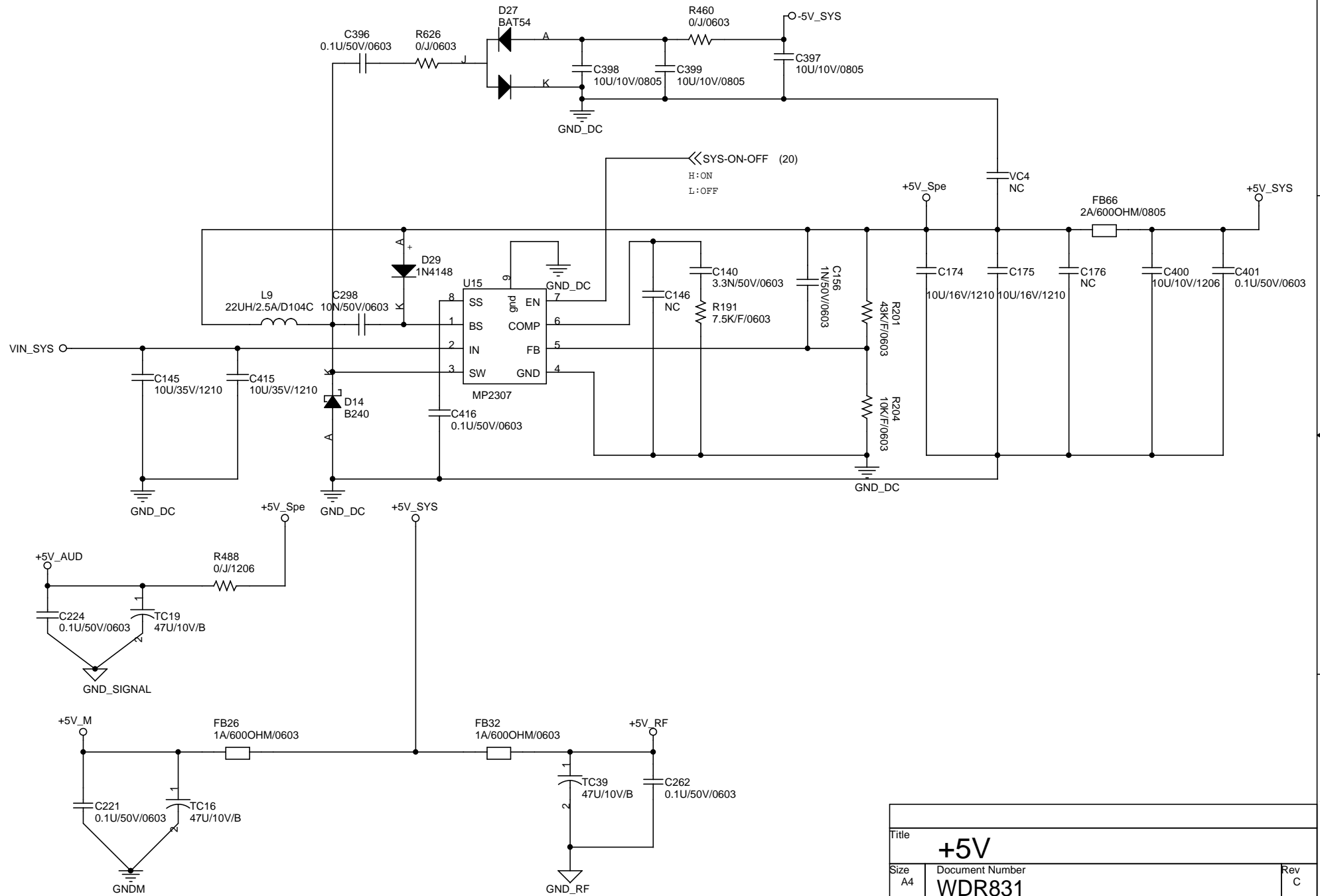
Title			MOTOR DRIVE		
Size	Document Number				Rev
	WDR831				C
Date:	Thursday, December 13, 2007	Sheet	13	of	27



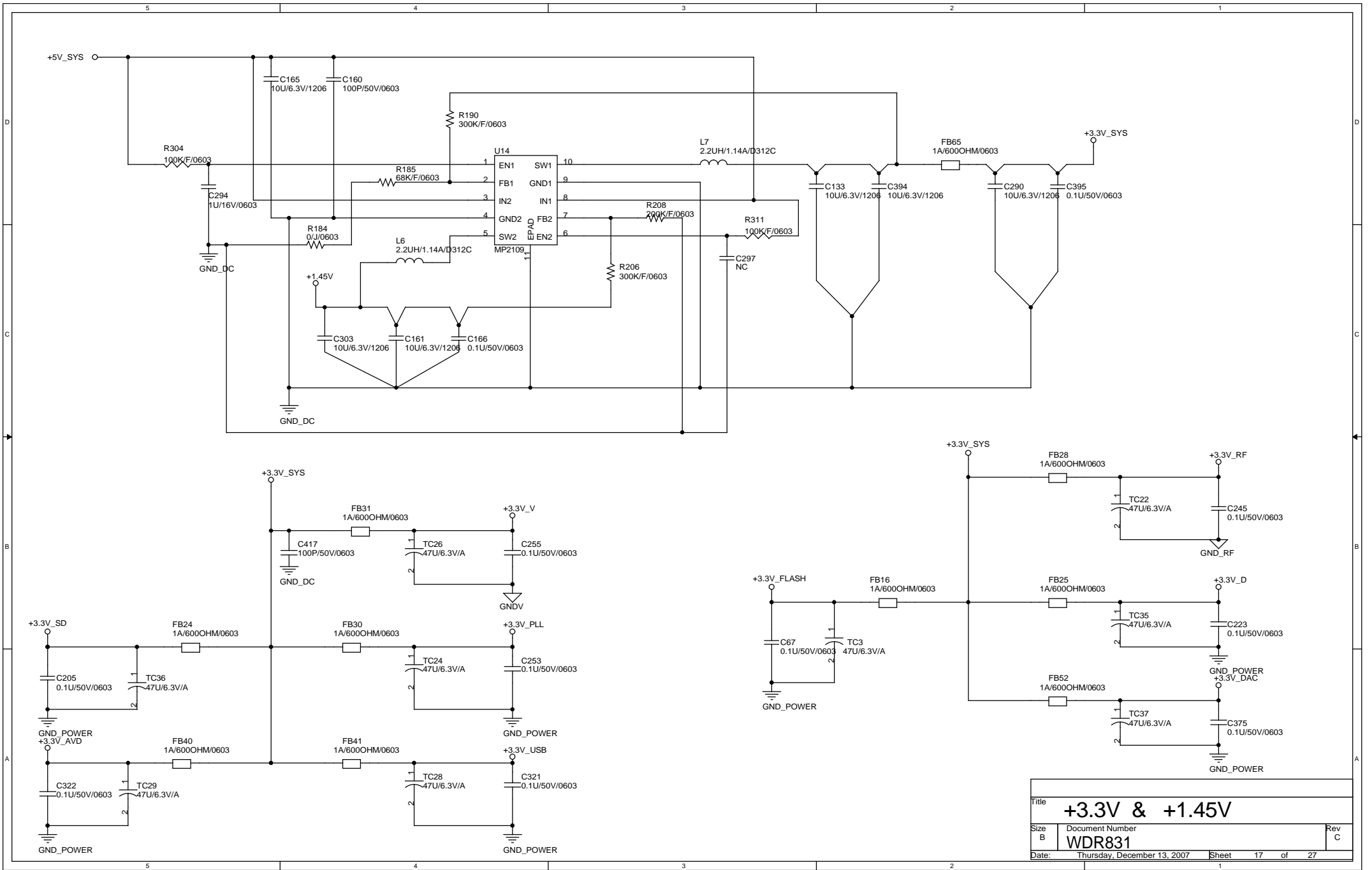
Title			
MST720			
Size	Document Number	Rev	
A3	WDR831	C	
Date:	Thursday, December 13, 2007	Sheet	14 of 27



Title		
EEPROM		
Size	Document Number	Rev
A	WDR831	C
Date:	Thursday, December 13, 2007	Sheet 15 of 27

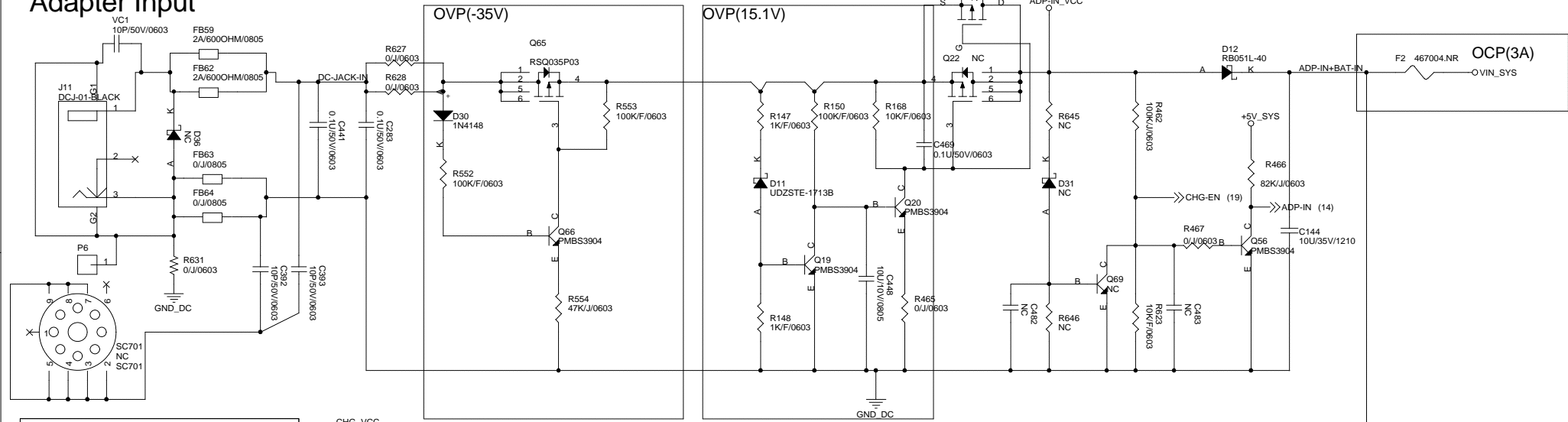


Title		
+5V		
Size	Document Number	Rev
A4	WDR831	C
Date:	Thursday, December 13, 2007	Sheet 16 of 27

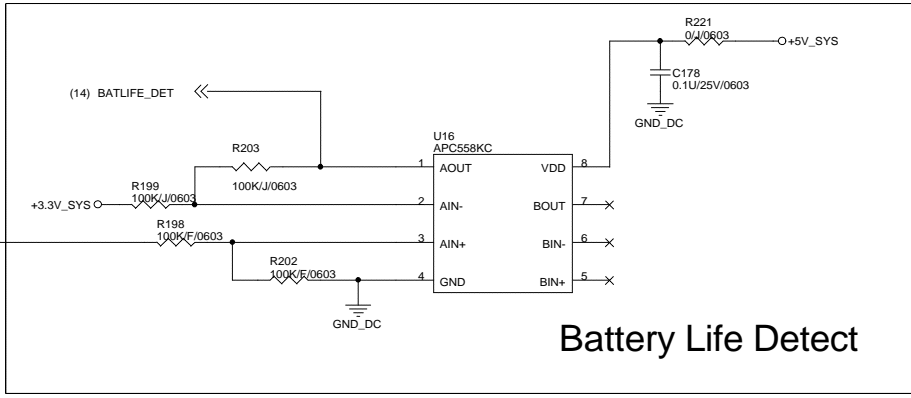
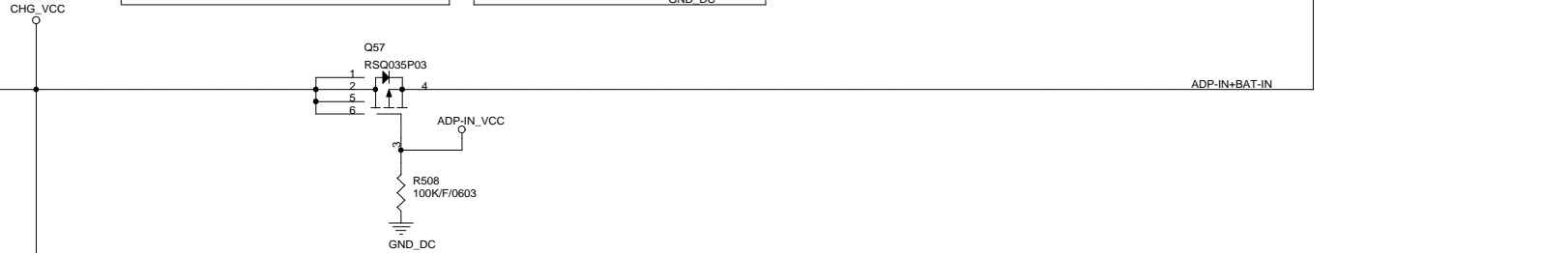
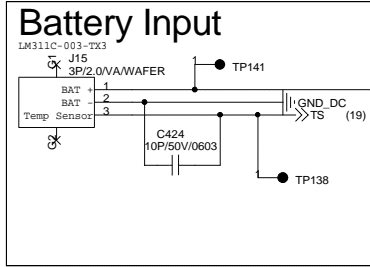


Title		
+3.3V & +1.45V		
Size	Document Number	Rev
B	WDR831	C
Date:	Thursday, December 13, 2007	Sheet 17 of 27

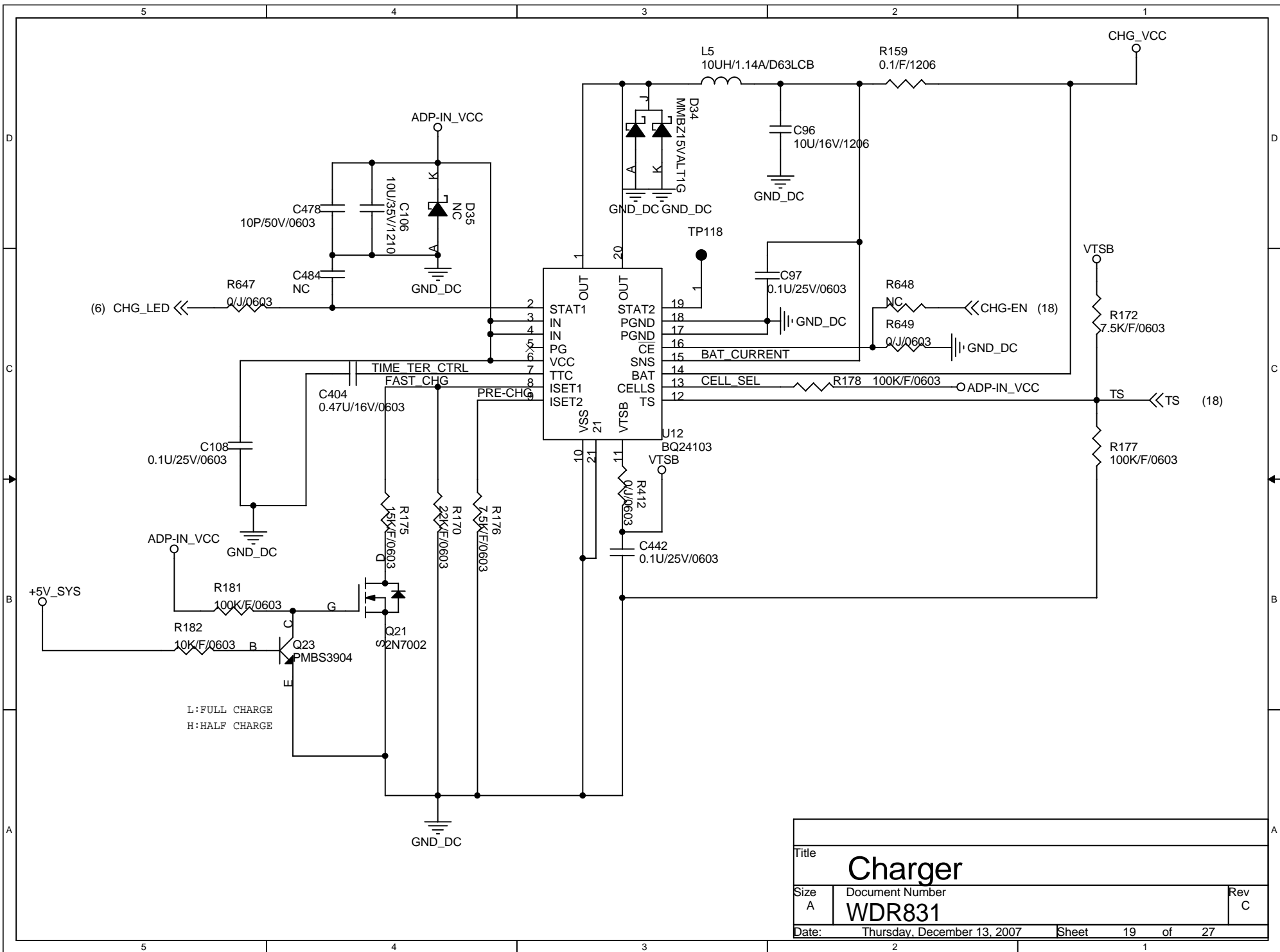
Adapter Input

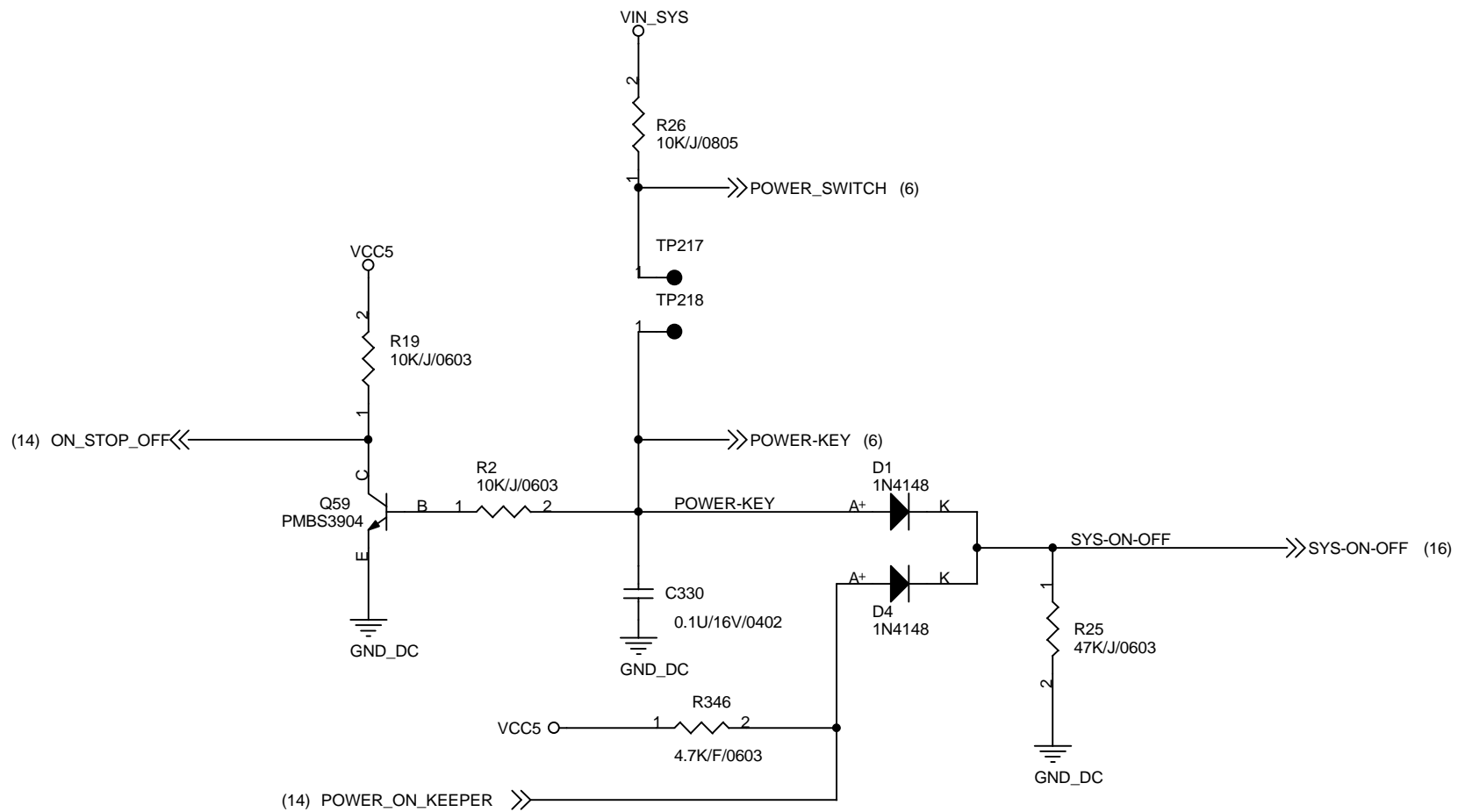


Battery Input

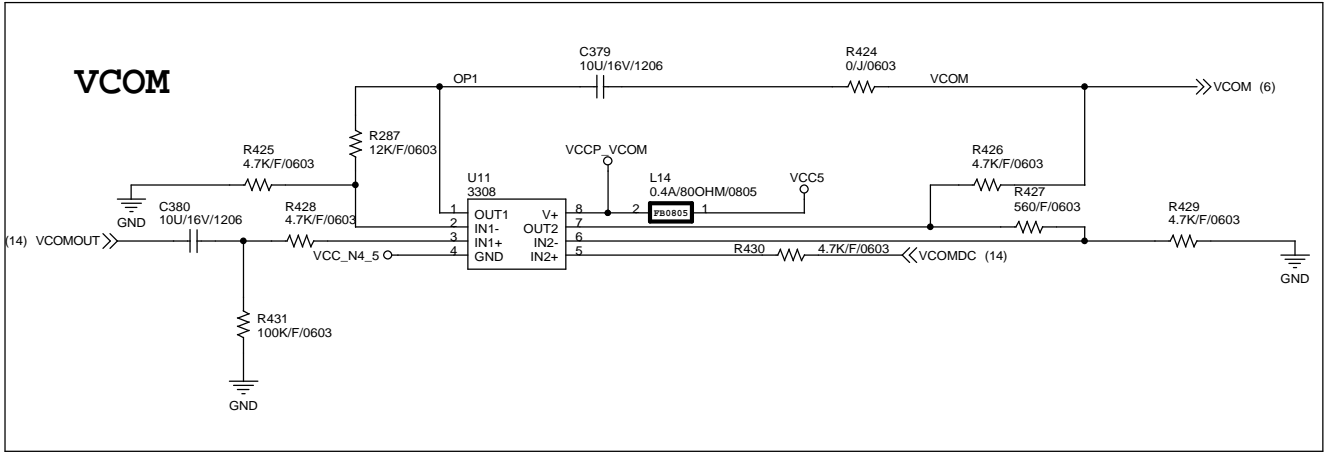
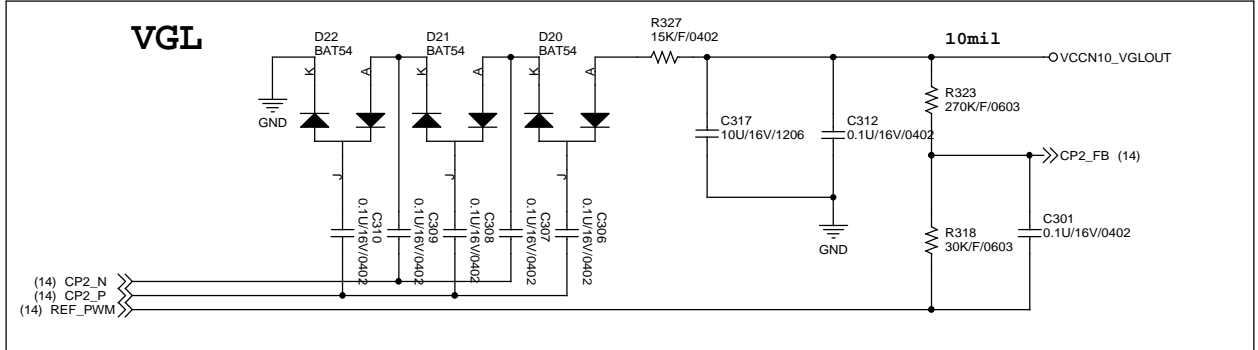
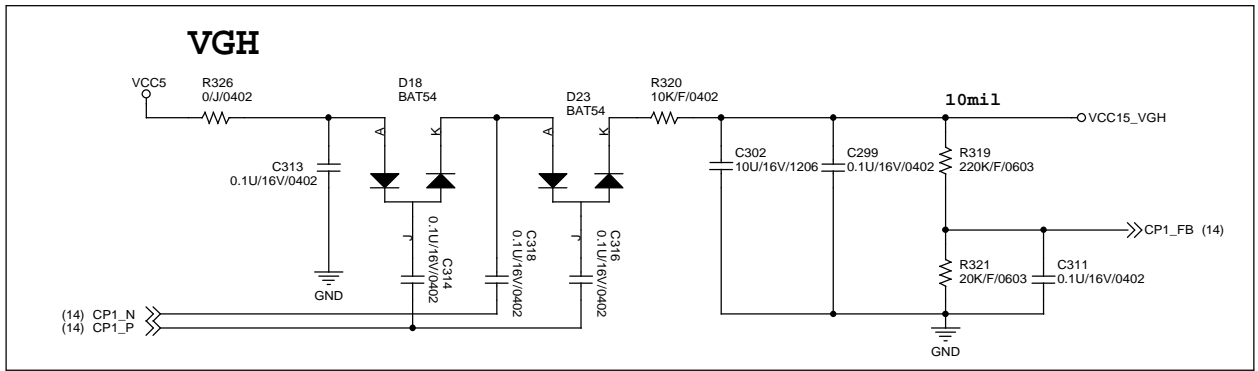


Title		
Adapter & Battery		
Size	Document Number	Rev
A3	WDR831	C
Date:	Thursday, December 13, 2007	Sheet 18 of 27

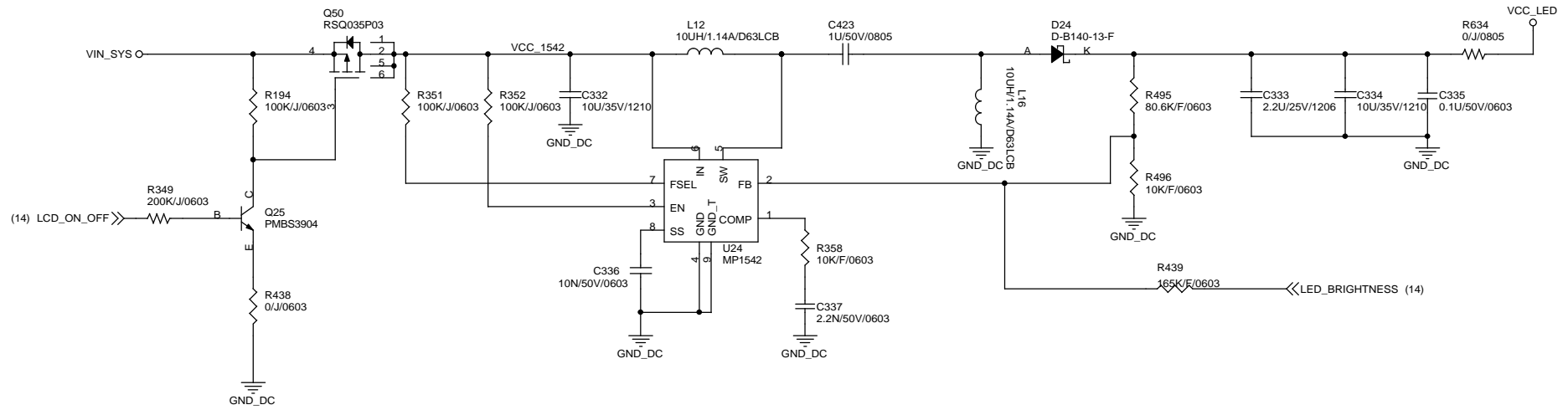




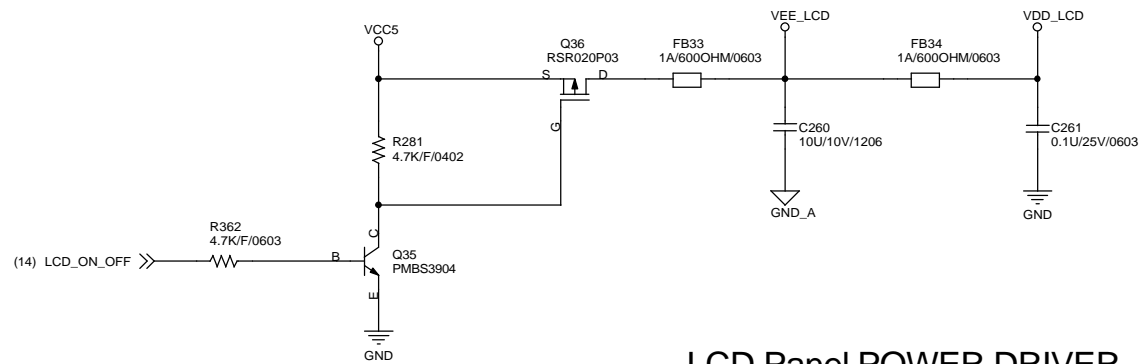
Title		
Power On/Off Switch		
Size	Document Number	Rev
A	WDR831	C
Date:	Thursday, December 13, 2007	Sheet 20 of 27



Title		
LCD VGL,VGH,VCOM		
Size	Document Number	Rev
B	WDR831	C
Date:	Thursday, December 13, 2007	Sheet 21 of 27

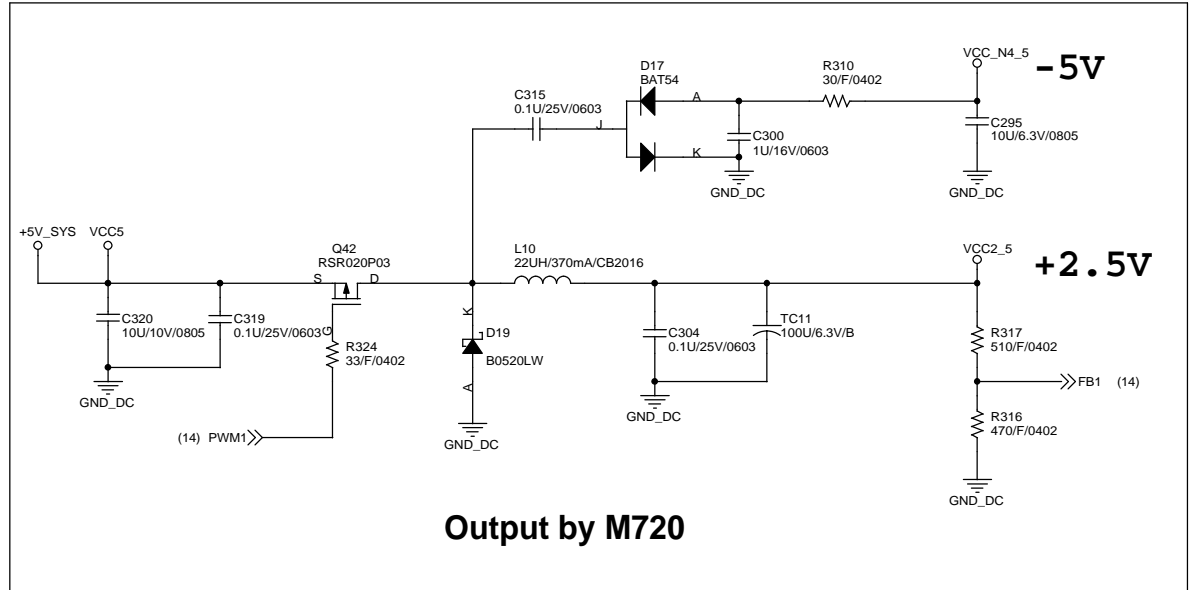
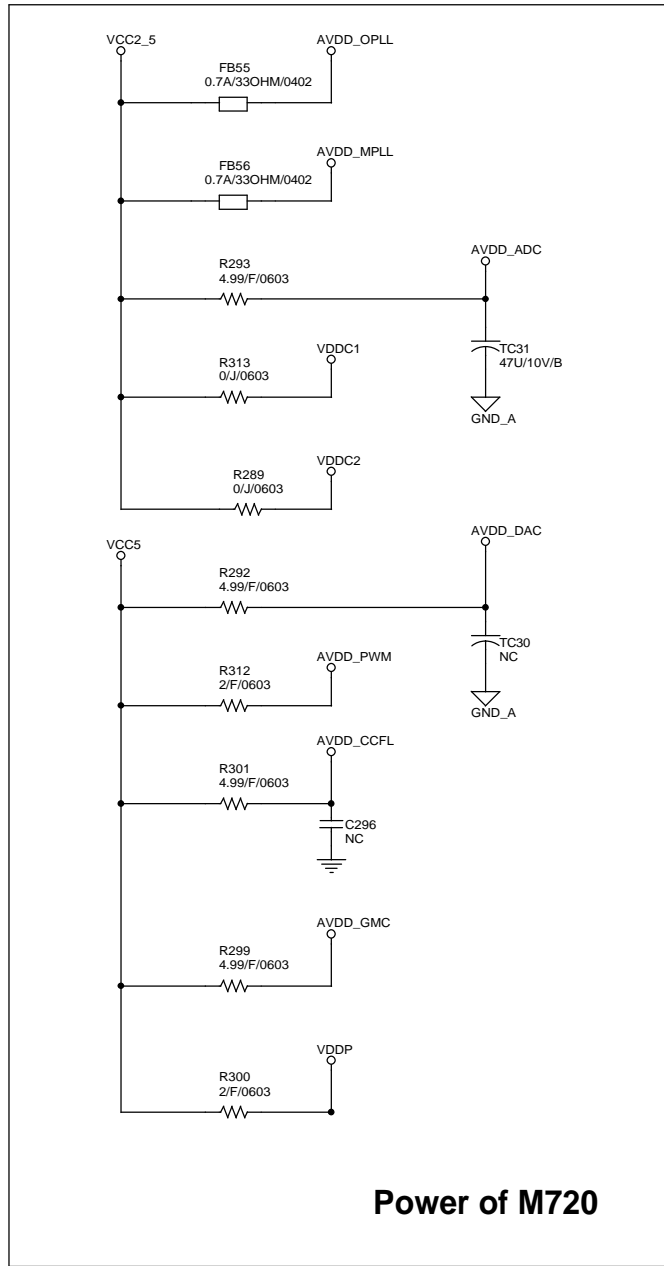


LCD Backlight POWER DRIVER

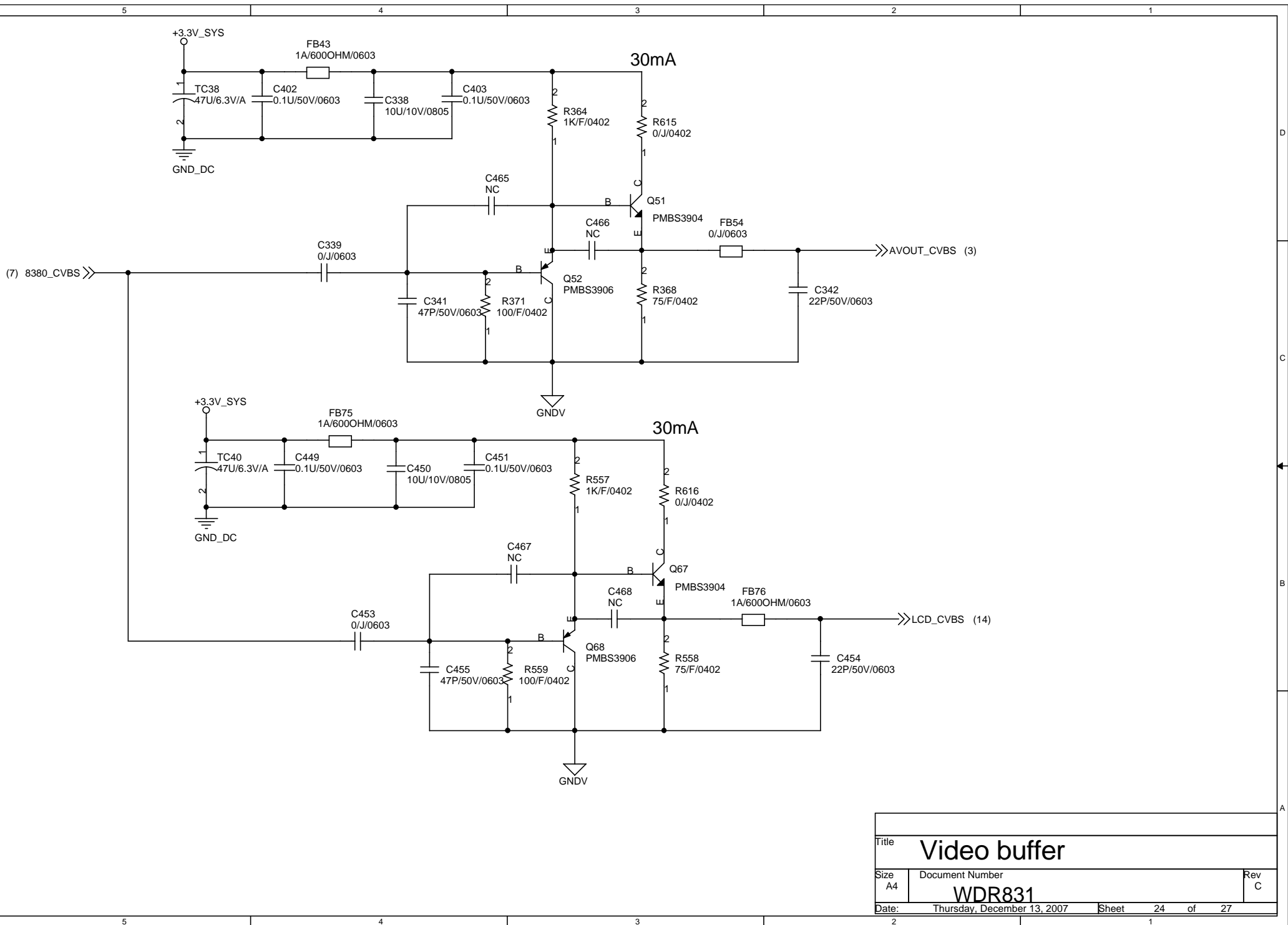


LCD Panel POWER DRIVER

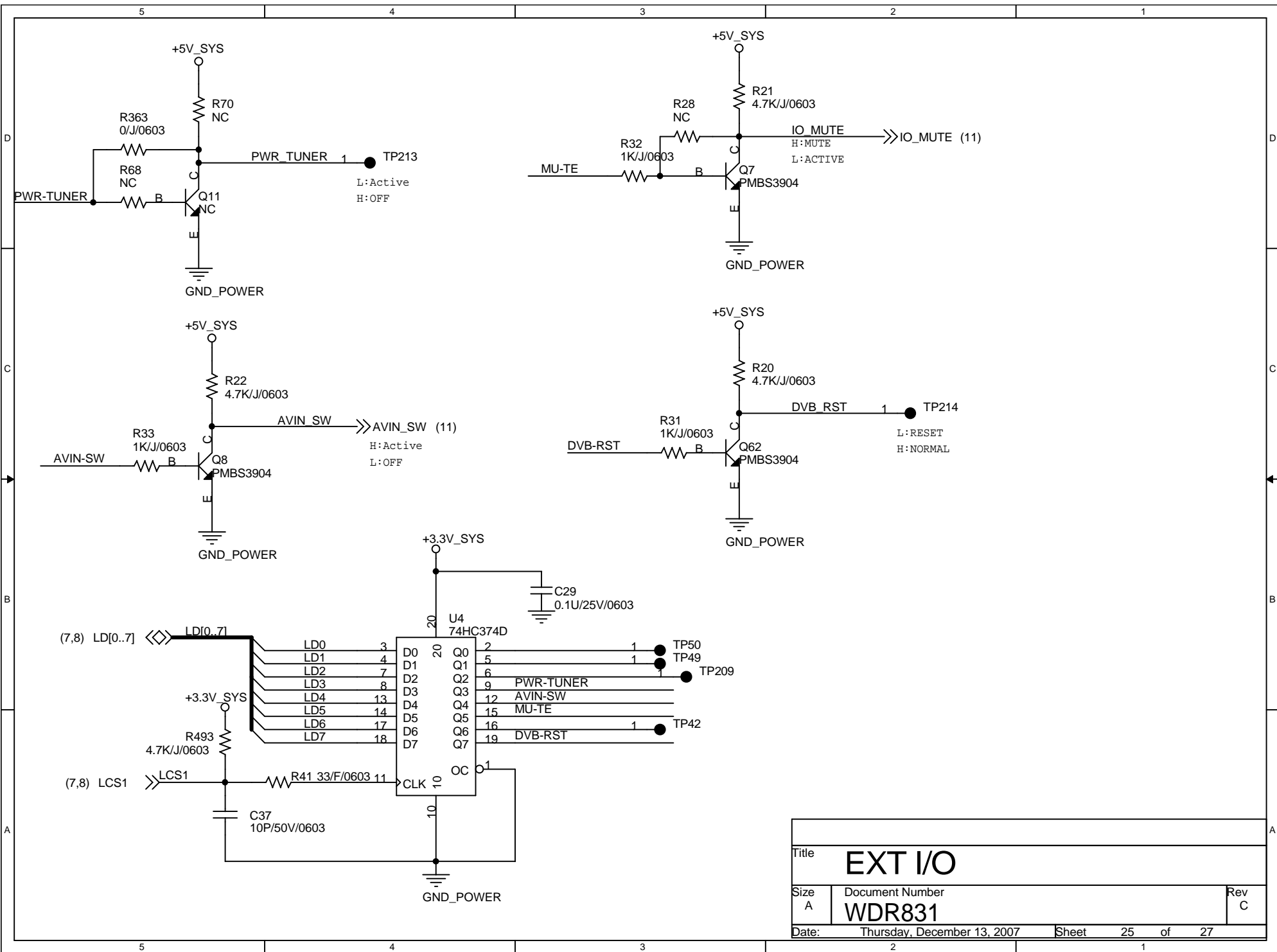
Title		
Backlight & LCD Power		
Size	Document Number	Rev
B	WDR831	C
Date:	Thursday, December 13, 2007	Sheet 22 of 27

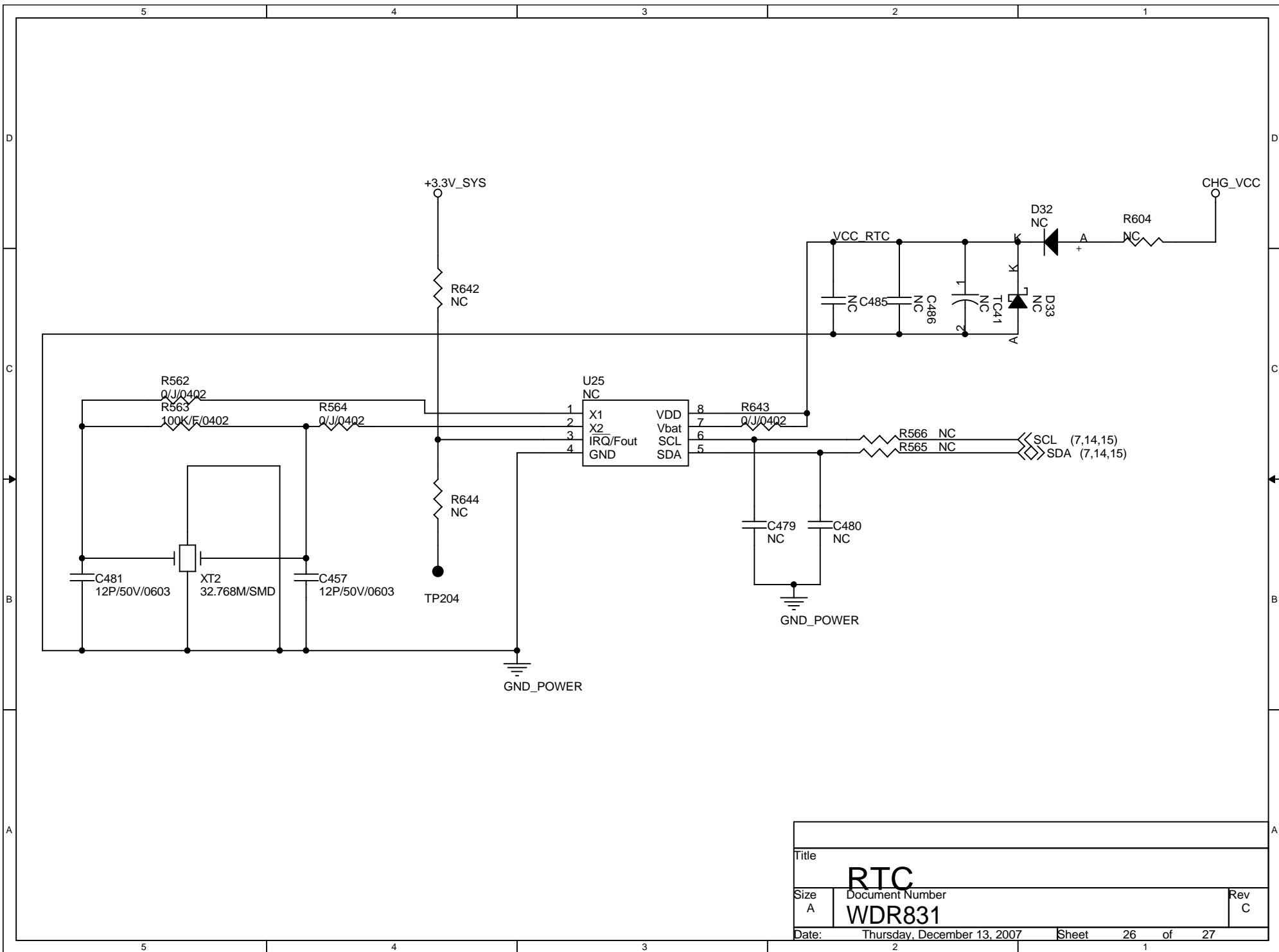


Title			M720 POWER		
Size	Document Number				Rev
B	WDR831				C
Date:	Thursday, December 13, 2007	Sheet	23	of	27

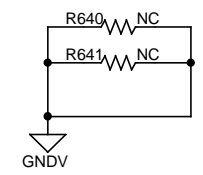
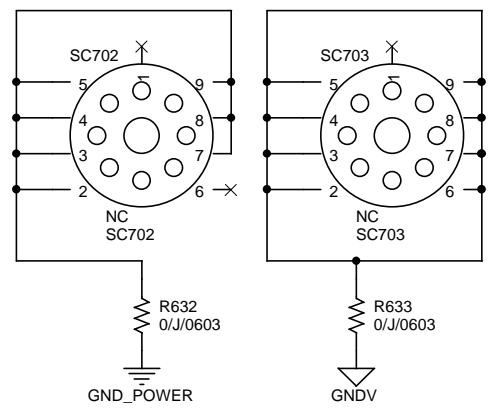
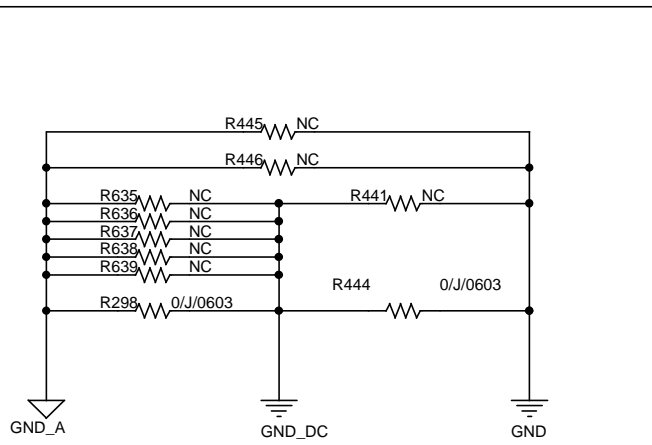
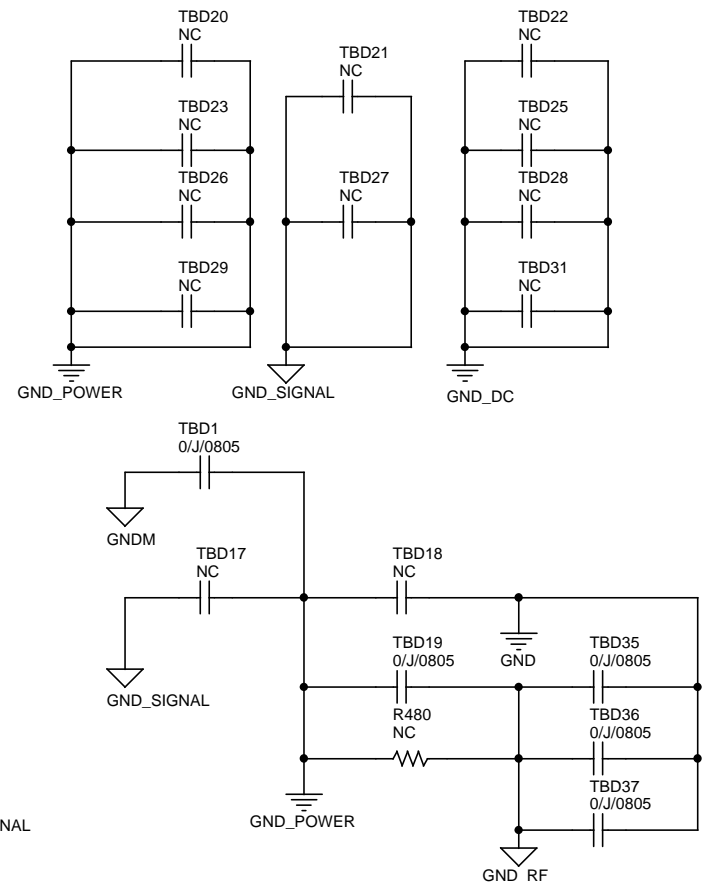
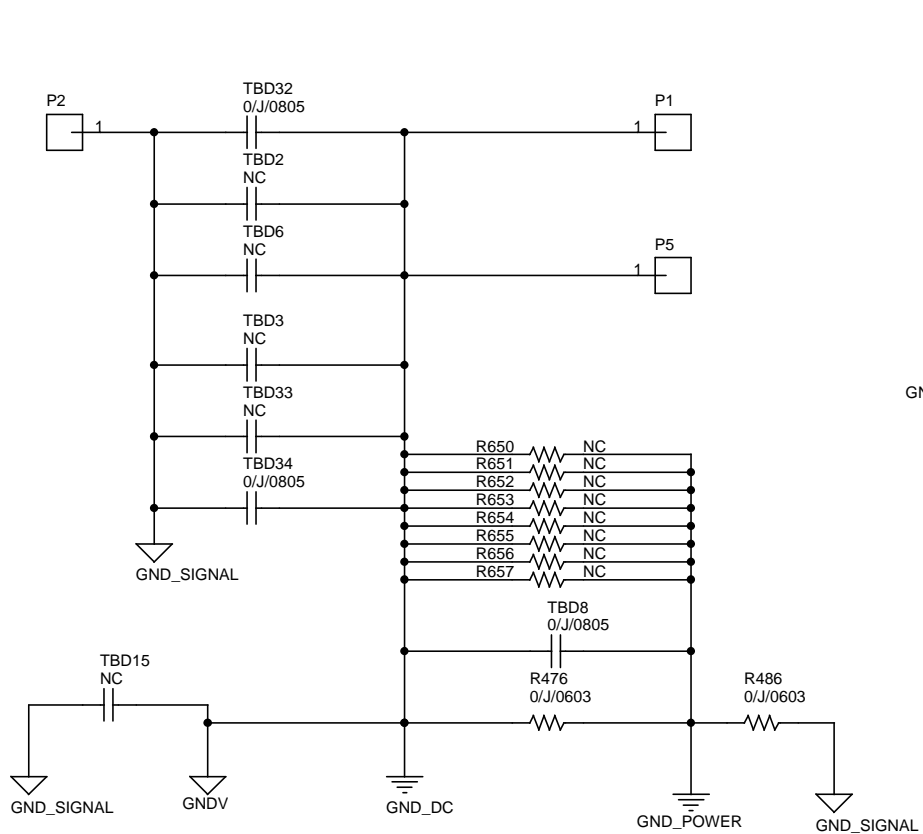


Title		
Video buffer		
Size	Document Number	Rev
A4	WDR831	C
Date:	Thursday, December 13, 2007	Sheet 24 of 27



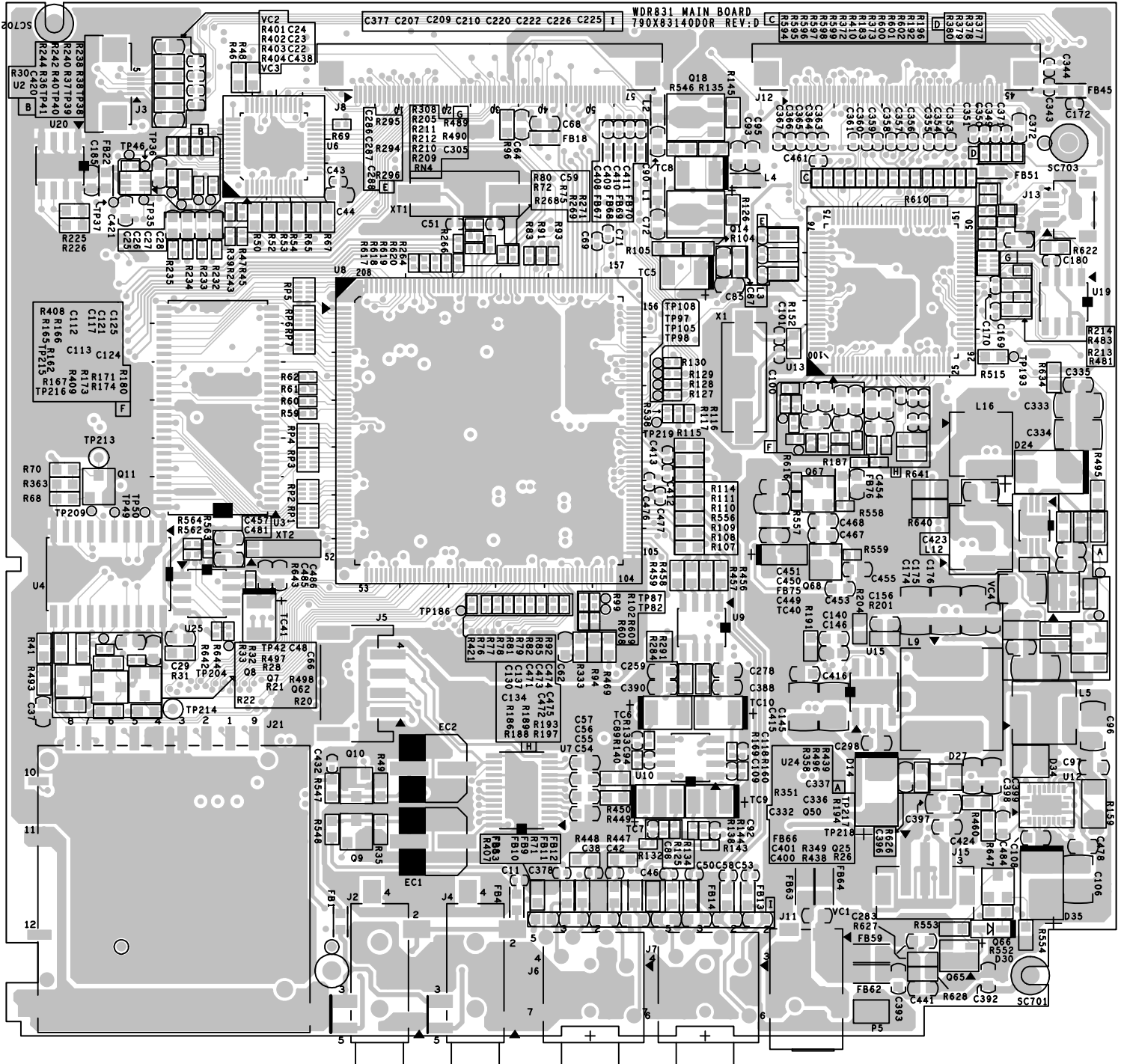


Title		
RTC		
Size	Document Number	Rev
A	WDR831	C
Date:	Thursday, December 13, 2007	Sheet 26 of 27

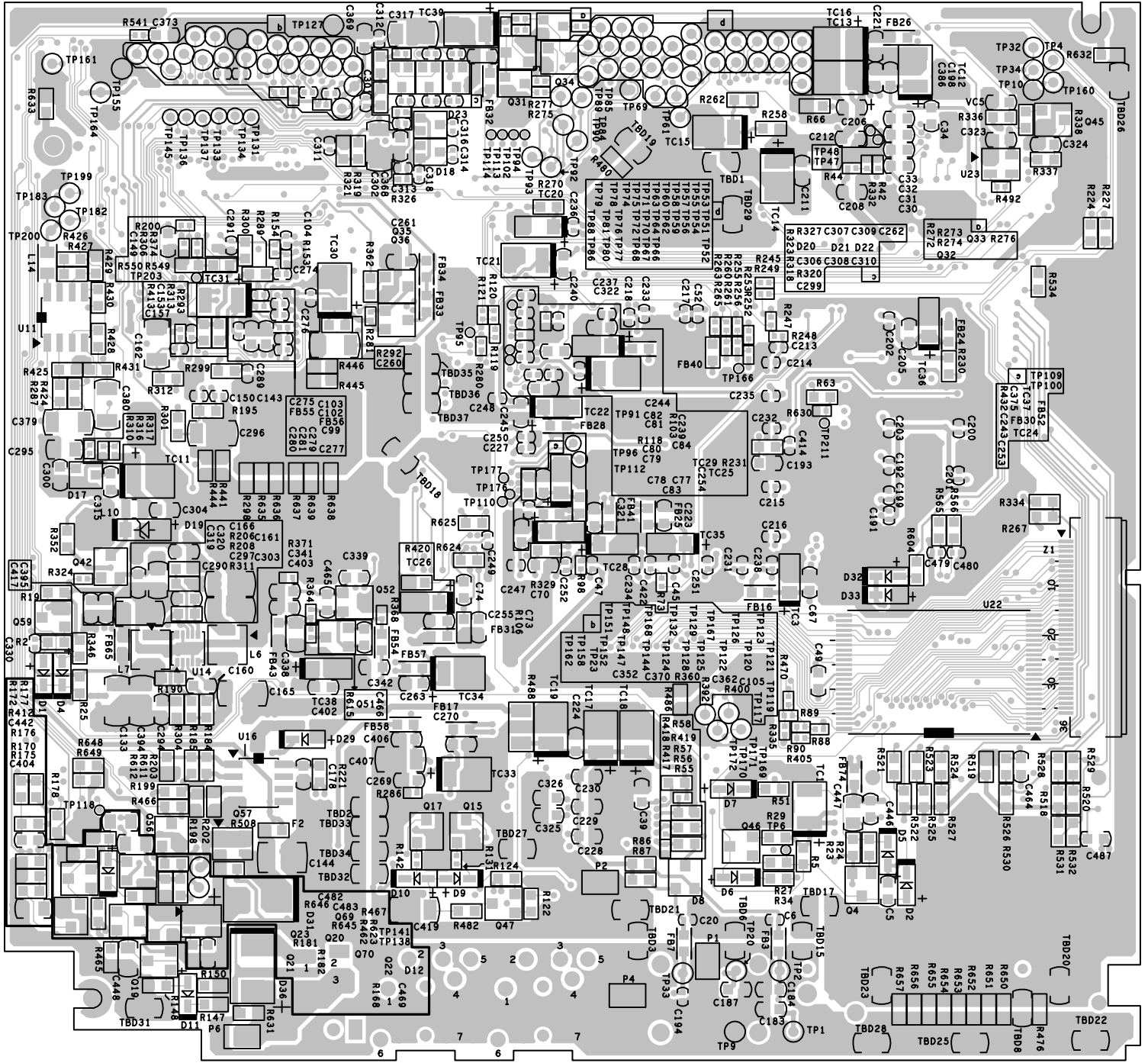


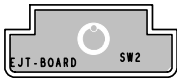
Title		
GND		
Size	Document Number	Rev
A4	WDR831	C
Date:	Thursday, December 13, 2007	Sheet 27 of 27

PET831 main board TOP Layer

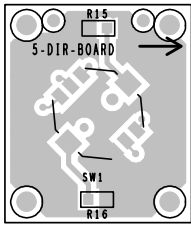


PET831 main board BOT Layer

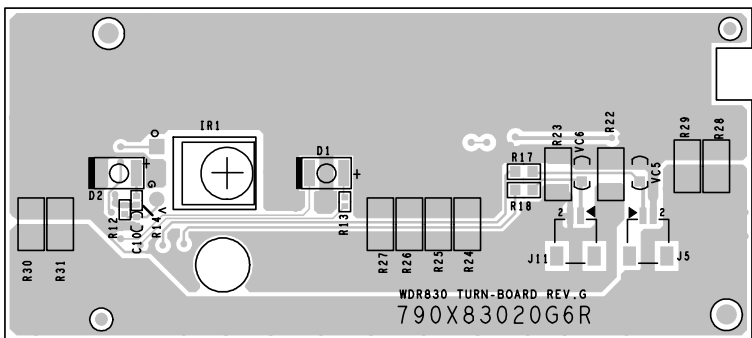




Eject KEY TOP

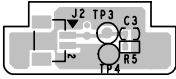


5-direction KEY TOP

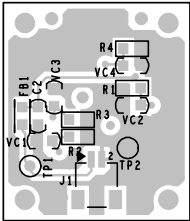


LCD Turn board TOP

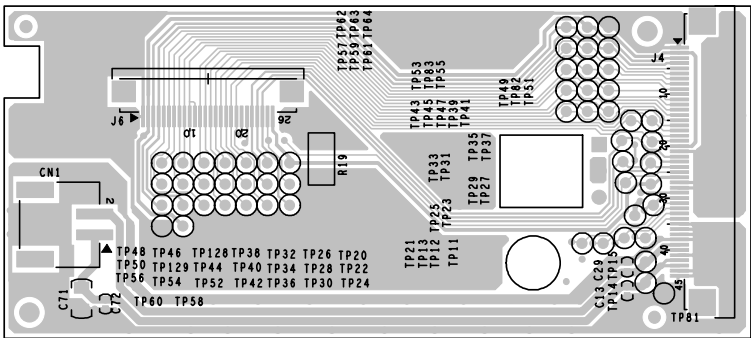
Eject Key BOT



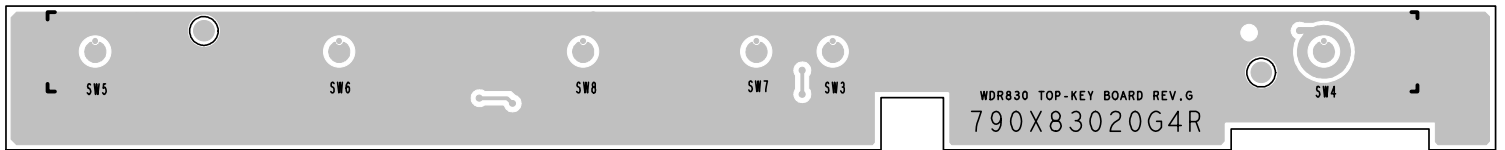
5-direction key BOT



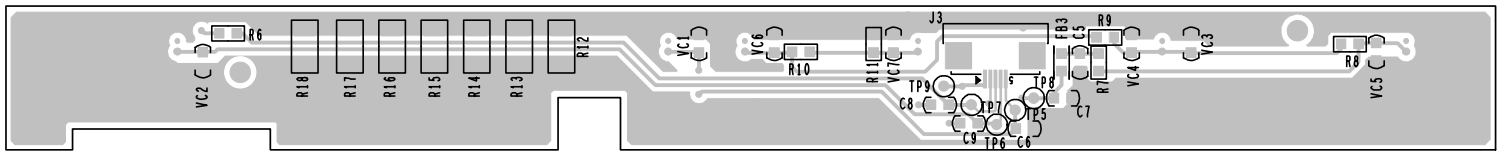
LCD Turn board BOT



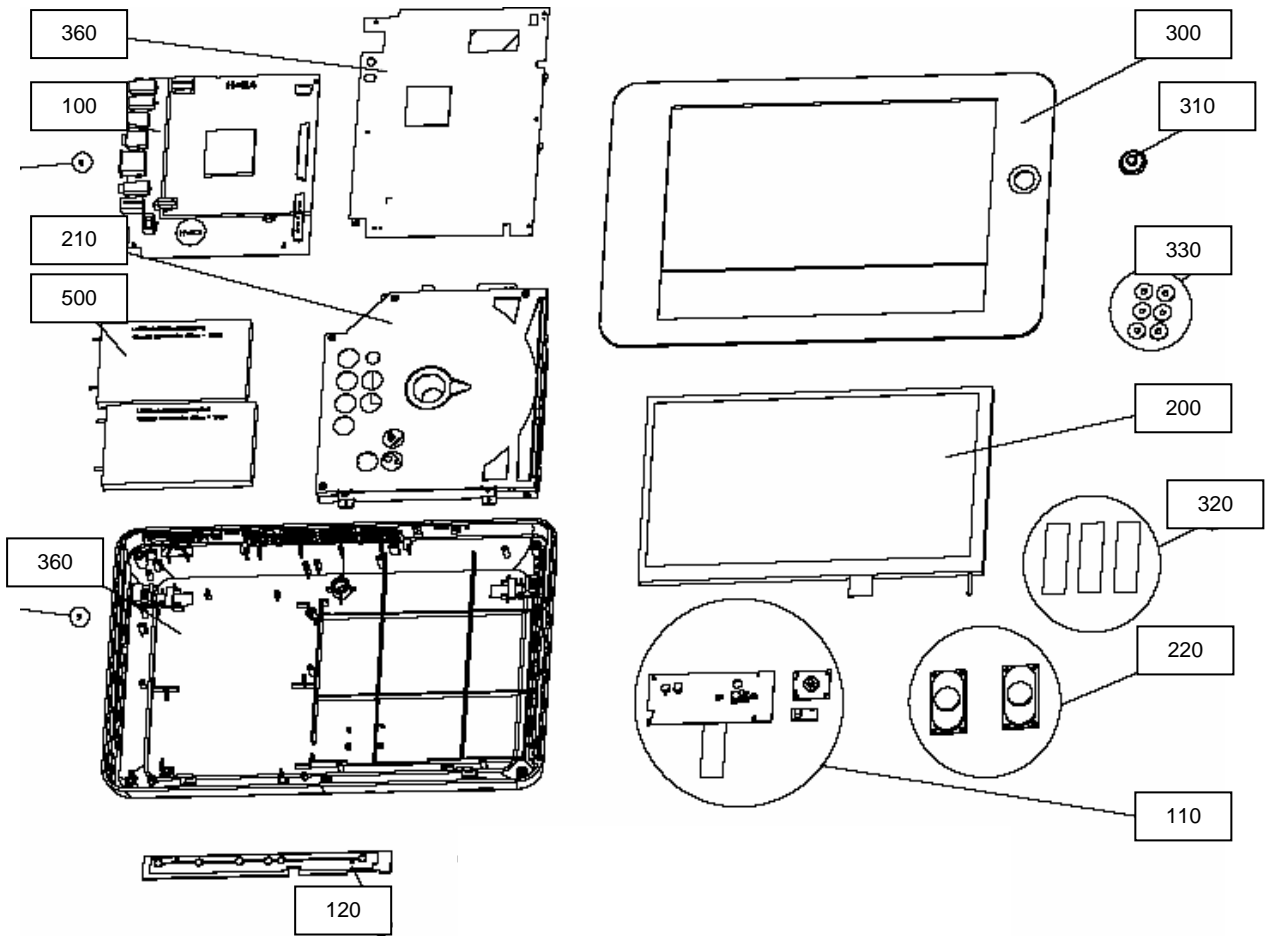
TOP Key TOP Layer



TOP Key BOT Layer



8.0 EXPLODED VIEW DIAGRAM & SERVICE PART LIST



8.0 EXPLODED VIEW DIAGRAM & SERVICE PART LIST

Electrical Part list:

Pos No.	12NC	Description	Remark
100	996510010607	MAIN PCBA PET831	
110	996510010608	3-IN-1 KEYPAD PCBA PET831	
120	996510001021	TOP KEYPAD PCBA PET831	
141	996510001022	FFC 5PIN P=0.5 L=80 LINK KEYPAD	
142	996510001023	FFC 45PIN P=0.5 L=140 LINK TUNER	

Mechanical Part list:

Pos No.	12NC	Description	Remark
200	996510006337	TFT LCD A085FW01V7	
210	996510010609	DVD LOADER TDR086L	
220	996510001026	SPEAKER ASSY(IN PAIR) PET831	
230	996510006338	WIRE CABLE FOR TFT	
300	996510001027	FRONT CABINET ASSY PET831	
310	996510001028	JOGGING BUTTON PET831	
320	996510001029	CONDUCTIVE FABER TUNER BOARD	
330	996510001030	SPONGE LCD PANDEL	
340	996510001031	WIRE 1.0MM PITCH 2P/155MM BLACK	
350	996510001032	WIRE 1.0MM PITCH 2P/195MM WHITE	
360	996510010610	BACK CABINET ASSY PET831	
370	996510010611	RUBBER HEAT CONDUCTOR	
500	996510010612	BATTERY ASSY PET831	

Accessories Part list:

Pos No.	12NC	Description	Remark
ACA	996510001049	AC/DC ADAPTER AY4129 EU	For PET831/12, /98
	996510001052	AC/DC ADAPTER AY4129 UK	For PET831/05
	996510001050	AC/DC ADAPTER AY4129 AU/NZ	For PET831/75, /79
CARA	996510010613	CAR ADAPTER 12V 3A	
CABLE1	996510001038	RCA CABLE	
CABLE2	996510010614	YUV CABLE	
RC	996510001037	REMOTE CONTROL AY5507	
BAG	996510001039	CARRY BAY (POUCH)	
CARMOUNT	996510001040	CAR MOUNT EXT ASSY	

9.0 REVISION LIST

Version 1.0 (3141 785 32290)

- Initial release PET831/12

Version 1.0 (3141 785 32291)

- Section 8 - Update part list for PET831/05, /79, /98